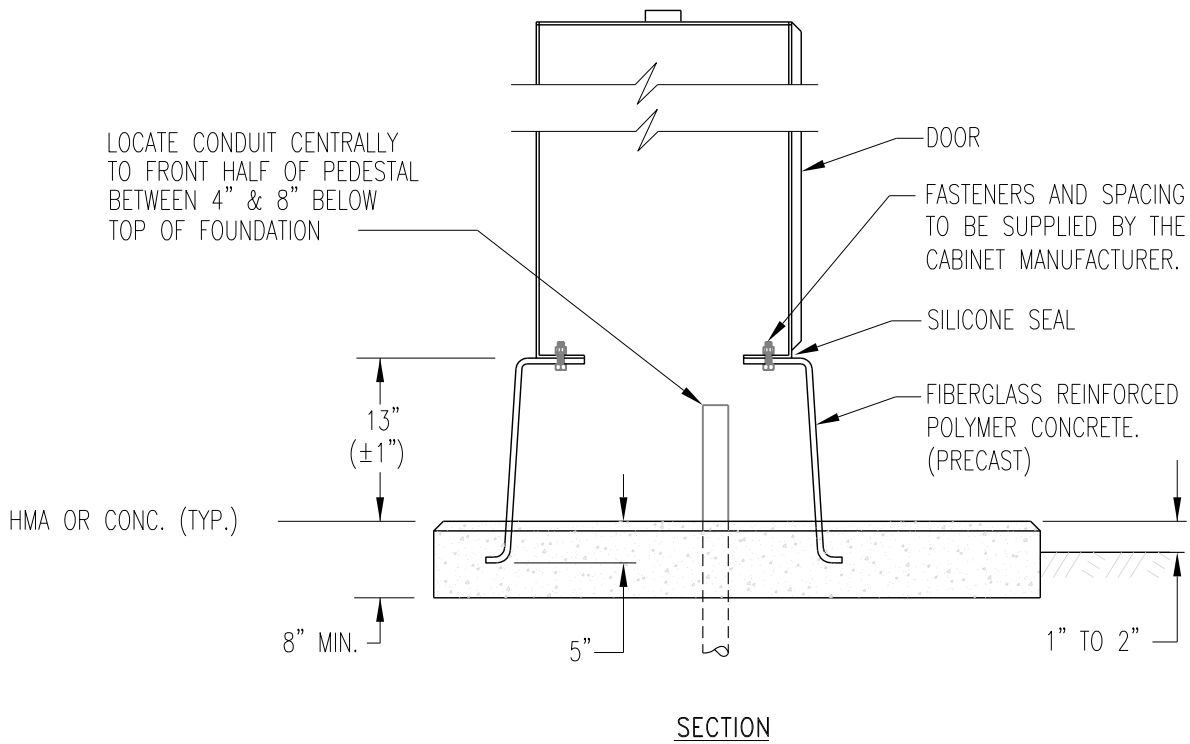


NOTES:

1. WHERE THE FOUNDATION PAD IS LOCATED IN A SIDEWALK, CONSTRUCT TOP OF PAD FLUSH WITH SIDEWALK GRADE, OMITTING CHAMFER WHERE PAD & SIDEWALK ABUT.
2. CABINET FOUNDATION SHALL BE CLASS B CONCRETE.
3. MODIFY FOUNDATION OPENING TO MATCH CABINET OPENING.
4. THE FOUNDATION PAD SHALL BE A MONOLITHIC CONCRETE POUR BOTH INTERNAL & EXTERNAL OF THE PRECAST PEDESTAL AND IN BOTH AREAS TROWEL FINISHED SMOOTH & LEVEL.



TRAFFIC SIGNAL
FOUNDATION

CIVIL & UTILITY ENGINEERING

APPR. BY: PKR

DATE: 06.22

DRAWN BY: JC

DWG: TR11

CAD FILE: 2022_TR11_06_2022