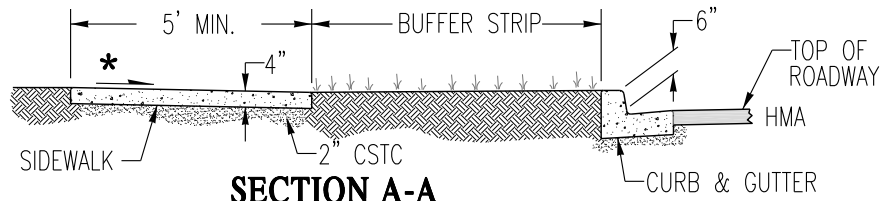
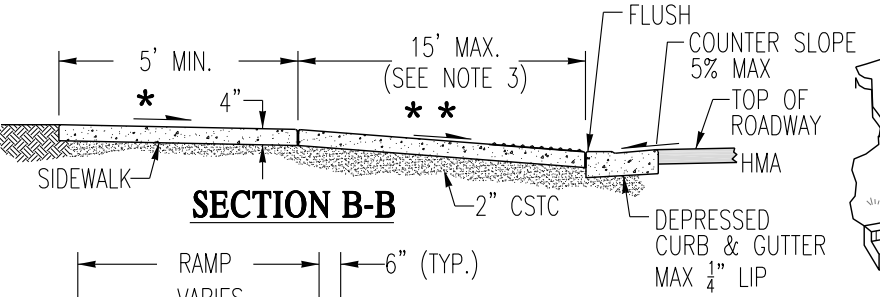


PERPENDICULAR TYPE B-1

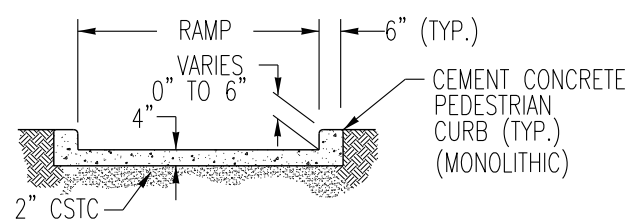
PERPENDICULAR TYPE B-2



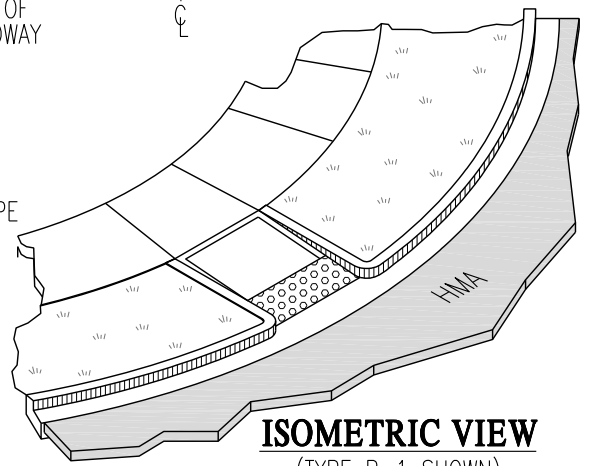
SECTION A-A



SECTION B-B



SECTION C-C



ISOMETRIC VIEW (TYPE B-1 SHOWN)

LEGEND:
 ← → SLOPE IN EITHER DIRECTION
 * 1.5% OR FLATTER RECOMMENDED FOR DESIGN/FORMWORK (2% MAX)
 ** 7.5% OR FLATTER RECOMMENDED FOR DESIGN/FORMWORK (8.3% MAX)

NOTES:

1. THE TYPE B-2 RAMP ARE THE PREFERRED RAMPS. WHEN IT IS INFEASIBLE TO PROVIDE A RAMP FOR EACH OF THE TWO CROSSWALKS, A SINGLE TYPE B-1 RAMP FOR BOTH CROSSWALKS CAN BE USED WITH THE APPROVAL OF THE ENGINEER.
2. SEE STANDARD DETAIL ST7 FOR CURB, GUTTER AND SIDEWALK NOTES.
3. THE CURB RAMP MAXIMUM RUNNING SLOPE SHALL NOT REQUIRE THE RAMP LENGTH TO EXCEED 15' TO AVOID CHASING THE CURB RAMP MAXIMUM RUNNING SLOPE SHALL NOT REQUIRE THE RAMP LENGTH TO EXCEED 15' TO AVOID CHASING RUNNING SLOPE OF THE CURB RAMP SHALL BE AS FLAT AS FEASIBLE.
4. DETAILED DESIGN INFORMATION SHALL BE PROVIDED BY THE ENGINEER WITH THE ELEVATIONS PROVIDED FOR ALL FOUR CORNERS OF THE LANDING AND RAMP LENGTH.
5. CURB SHALL BE FORMED TO PROVIDE A STRAIGHT LINE ALONG THE BACK OF CURB ADJACENT TO THE WARNING PATTERN.



PERPENDICULAR CURB RAMP TYPE B

PUBLIC WORKS ENGINEERING	
APPR. BY: PKR	DATE: 02.23
DRAWN BY: JR	DWG: ST6
CAD FILE: 2013_ST6_02_2023	