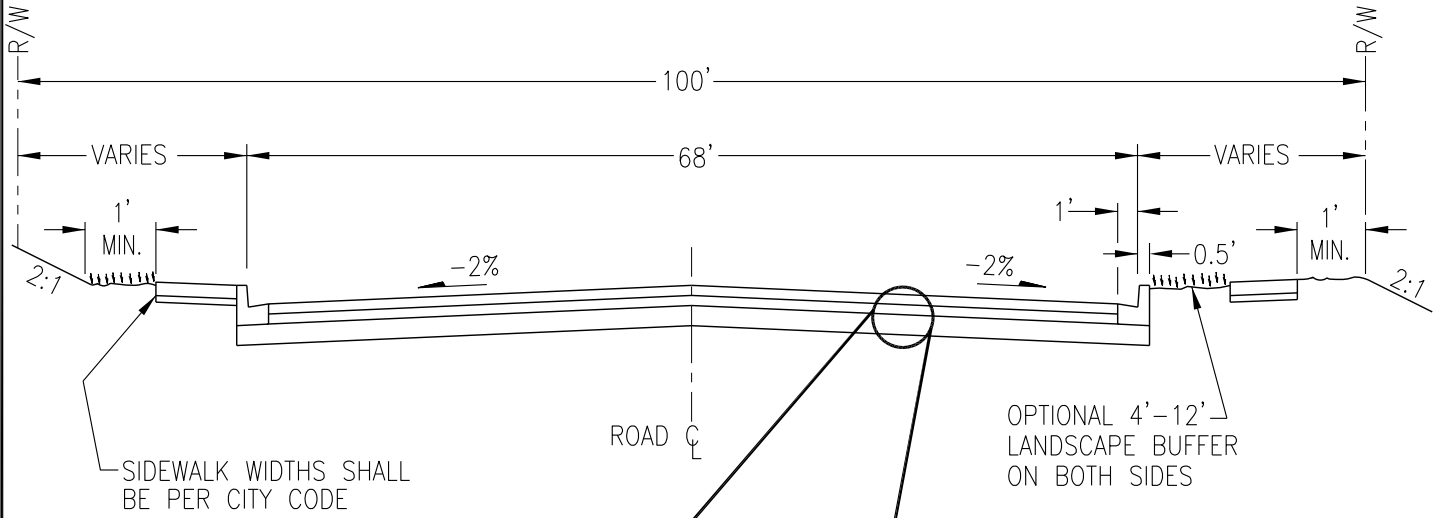
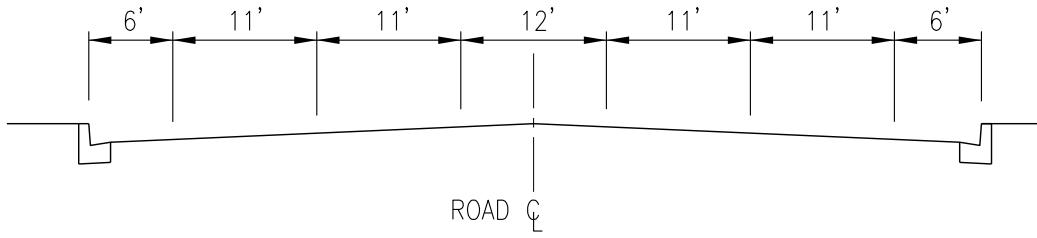


TYPICAL LANE LAYOUT

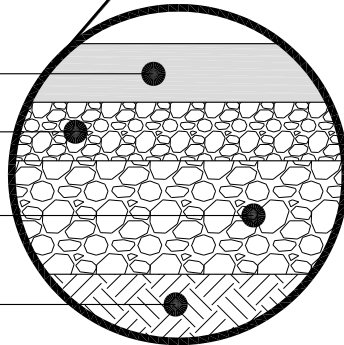


4" HMA CL 1/2", PG 64-28
 APPLY SOIL RESIDUAL HERBICIDE
 PRIOR TO PAVING

2" CSTC

8" CSBC

COMPACTED SUBGRADE



OPTIONAL 4'-12'
 LANDSCAPE BUFFER
 ON BOTH SIDES



PRINCIPAL
 ARTERIAL

PUBLIC WORKS ENGINEERING

APPR. BY: SAW

DATE: 01.24

DRAWN BY: JLR

DWG: ST9

CAD FILE: 2013_ST9_01_2024