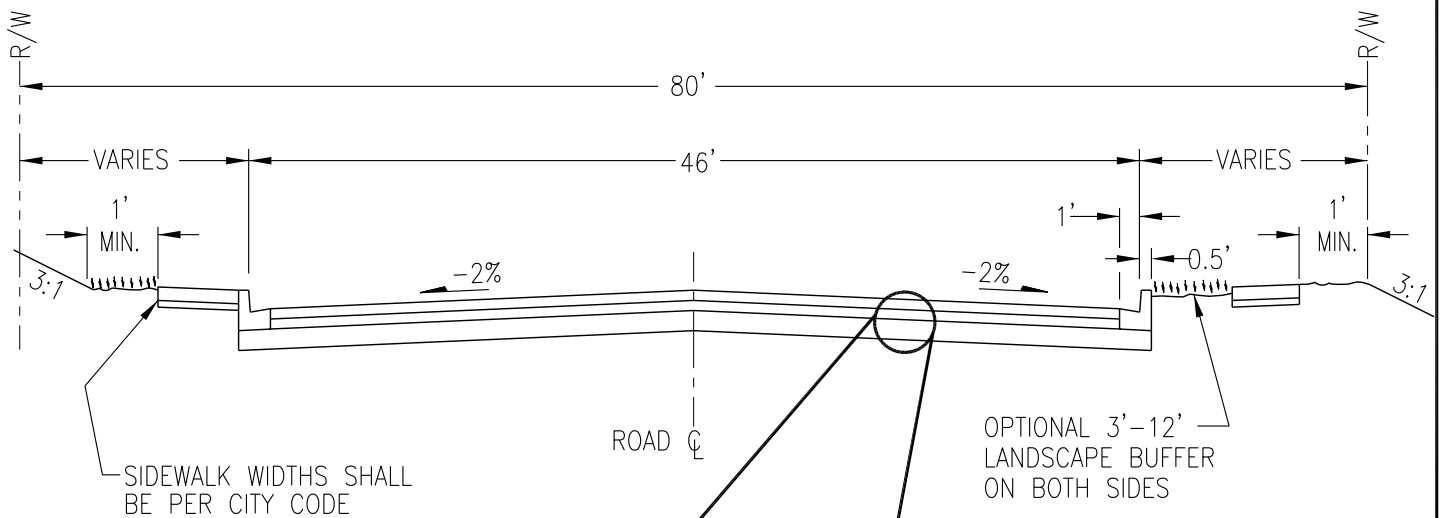
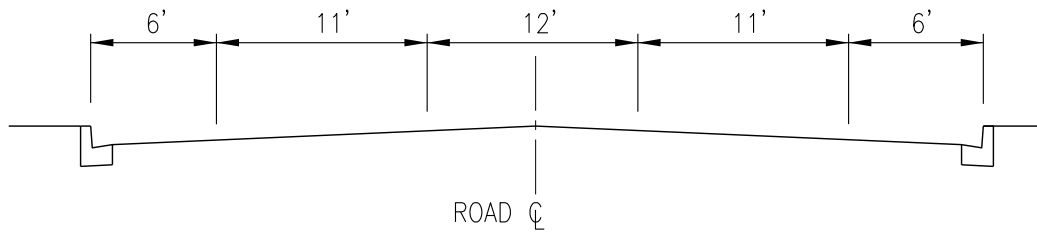


TYPICAL LANE LAYOUT

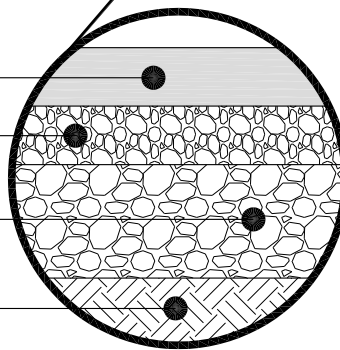


4" HMA CL 1/2", PG 64-28
 APPLY SOIL RESIDUAL HERBICIDE
 PRIOR TO PAVING

2" CSTC

8" CSBC

COMPACTED SUBGRADE



OPTIONAL 3'-12'
 LANDSCAPE BUFFER
 ON BOTH SIDES

NOTES:

1. WHEN A MINOR ARTERIAL REQUIRES A 5-LANE CROSS SECTION AS DETERMINED BY THE PUBLIC WORKS DIRECTOR, THE CROSS SECTION DRAWING FOR PRINCIPAL ARTERIAL (ST9) SHALL BE USED.



MINOR
 ARTERIAL

PUBLIC WORKS ENGINEERING

APPR. BY: SAW

DATE: 01.24

DRAWN BY: JLR

DWG: ST10

CAD FILE: 2013_ST10_01_2024