

2"x4" PRESSURE TREATED WOOD.
 LENGTH AS REQUIRED.
 SET PLUMB AND BACKFILL.
 PAINT PRESSURE TREATED WOOD BLUE.

MARKER POST SHALL BE PLACED
 IMMEDIATELY ADJACENT TO CURB STOP.

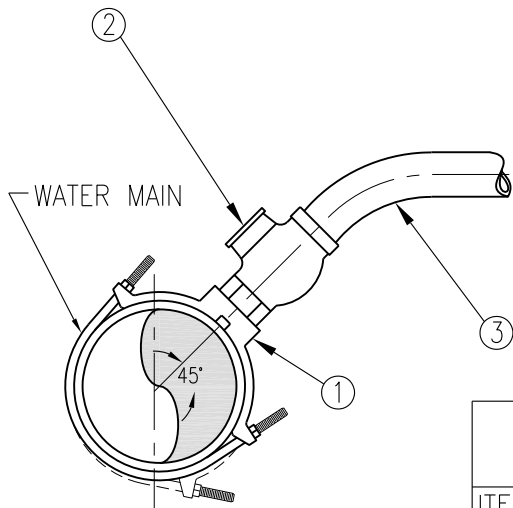
FINISHED GROUND

4' MIN.
 (CUT AT SUBGRADE
 IF UNDER ACP)

WOOD

42" MIN. TO
 48" MAX. BURY

MATCH SERVICE
 BOX DEPTH



MATERIALS LIST
 (REF. TO COR MATERIAL LIST)

ITEM NO.	NO. REQ'D	DESCRIPTION
1	1	SERVICE SADDLE
2	1	CORPORATION STOP
3	1	2" TUBING, NO JOINTS ALLOWED
4	1	CURB STOP
5	1	SERVICE BOX

NOTE:

- SERVICE TAPS ON PVC WATER MAIN SHALL BE SPACED A MINIMUM OF 36" IF TAPPED ON THE SAME SIDE AND 18" IF STAGGERED. TAP SHALL BE NO CLOSER THAN 24" FROM PIPE BELL.



2" STREET
 SERVICE ASSEMBLY

PUBLIC WORKS ENGINEERING

APPR. BY: SAW

DATE: 01.24

DRAWN BY: JLR

DWG: W2

CAD FILE: 2013_W2_01_2024