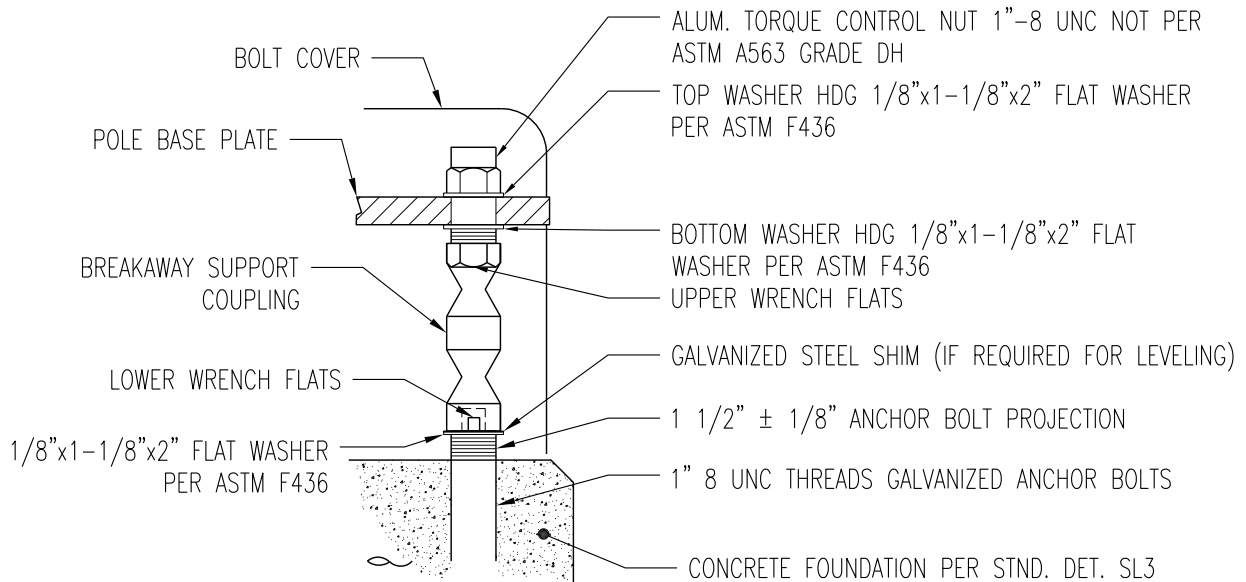


STANDARD STREET LIGHT WITH FOUNDATION

NOTES:

1. MUST MEET BUILD AMERICA, BY AMERICA SPECIFICATIONS FOR FEDERAL PROJECTS.



BREAKAWAY POLE ANCHOR DETAIL



**POLE & BREAKAWAY
ANCHOR DETAIL**

PUBLIC WORKS ENGINEERING

APPR. BY: PKR

DATE: 02.24

DRAWN BY: LD

DWG: SL2

CAD FILE: 2015_SL2_11_2024