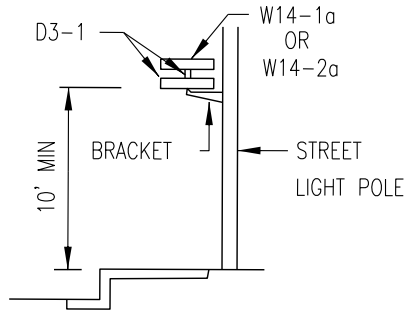
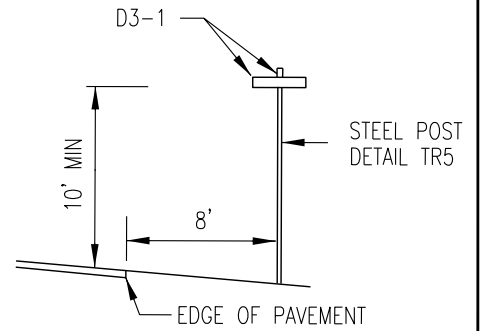


**POST MOUNT**

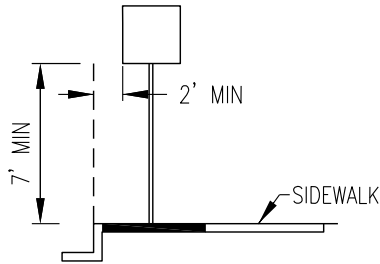


**STREET LIGHT MOUNT**

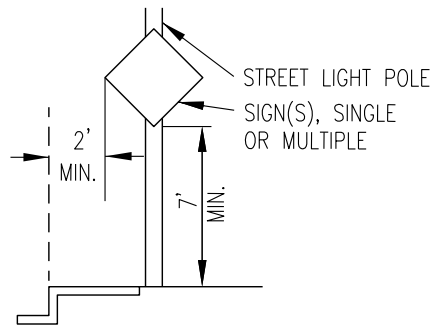


**POST MOUNT, NO CURB**

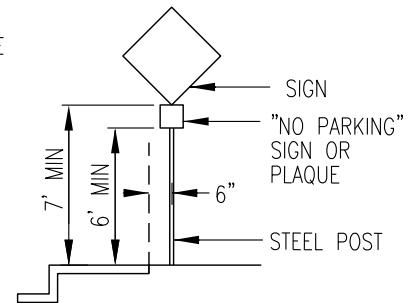
**STREET NAME SIGNS**



**POST MOUNT, PLANTER STRIP OR STAMPED CONCRETE**



**STREET LIGHT MOUNT**



**POST MOUNT MULTI-SIGN**

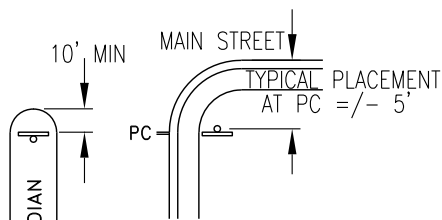
**STANDARD SIGNS**

**CITY STANDARD SIGN SIZES**

SIGN	TYPE	SIZE
R1-1	STOP	30"X30"*
R1-2	YIELD	36"X36"X36"
R2-1(XX)	SPEED LIMIT (SPEED)	24"X30"
R8-3	NO PARKING SYMBOL	12"X12"
WX-X	WARNING SIGN**	PER PLANS

**NOTES:**

- SIGNS GREATER THAN 36"X36" SHALL USE FLAT ALUMINUM PLATE WITH 0.125 THICKNESS.
  - GRAFFITI OVERLAY FILM SHALL BE USED ON ALL SIGNS EXCEPT EXTRUDED STREET NAME SIGN BLADES AND CALLED OUT ON PROOFS.
- \* 36"X36" WHEN ON AN APPROACH TO A STREET WITH A SPEED OF 45 MPH OR HIGHER.
- \*\* WARNING SIGNS SHALL USE FLUORESCENT YELLOW SHEETING.



STREET LIGHT POLE MAY BE USED FOR SIGNS IF WITHIN 30' OF THE MAIN STREET CURB

**CORNER SIGN PLACEMENT**



**TYPICAL SIGN PLACEMENT & STANDARD SIGN SIZES**

PUBLIC WORKS ENGINEERING	
APPR. BY: PKR	DATE: 02.24
DRAWN BY: EY	DWG: TR3
CAD FILE: 2021_TR3_07_2024	