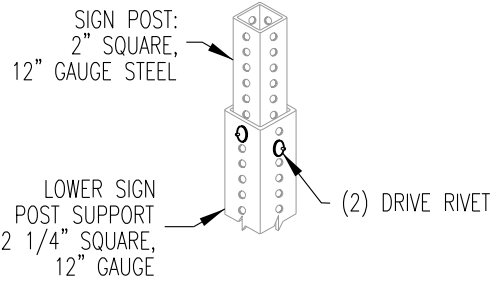
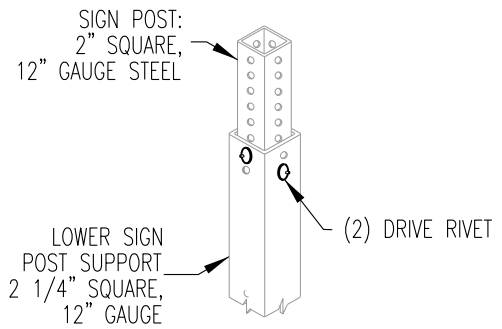


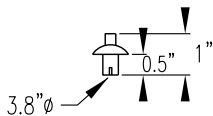
TYPICAL SIGN POST INSTALLATION



STANDARD BASE PARTS (ST-2)



HEAVY DUTY ANCHOR BASE PARTS (ST-4)



STEEL DRIVE RIVET

NOTES:

1. TYPE ST-2 AND ST-4 SIGN SUPPORTS/BASES SHALL BE DRIVEN IN COMPACTED BACKFILL OR NATIVE, UNDISTURBED SOIL WITH A MECHANICAL DRIVER UNLESS OTHERWISE APPROVED BY CITY ENGINEER.
2. WHEN PLACED IN NEW OR EXISTING CONCRETE (I.E. IN ISLANDS, SIDEWALK, OR AS OTHERWISE IDENTIFIED ON PROJECT PLANS) HEAVY DUTY ANCHOR BASE SHALL BE USED.
3. WHEN INSTALLED IN EXISTING CONCRETE USE A 6" CORE DRILL, DRIVE THE POST, BACKFILL WITH SOIL, AND TOP WITH CONCRETE TO MATCH THE THICKNESS OF THE EXISTING CONCRETE.



**TYPICAL
SIGN POST
INSTALLATION**

PUBLIC WORKS ENGINEERING

APPR. BY: SAW

DATE: 01.24

DRAWN BY: JLR

DWG: TR5

CAD FILE: 2018_TR5_01_2024