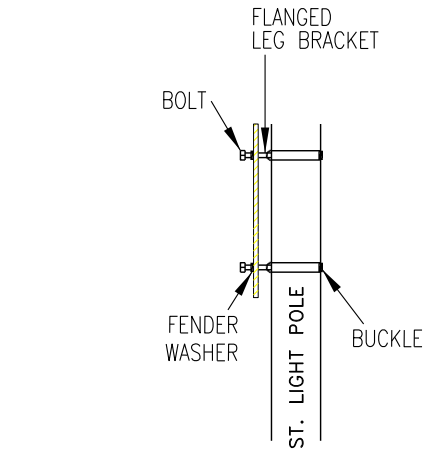
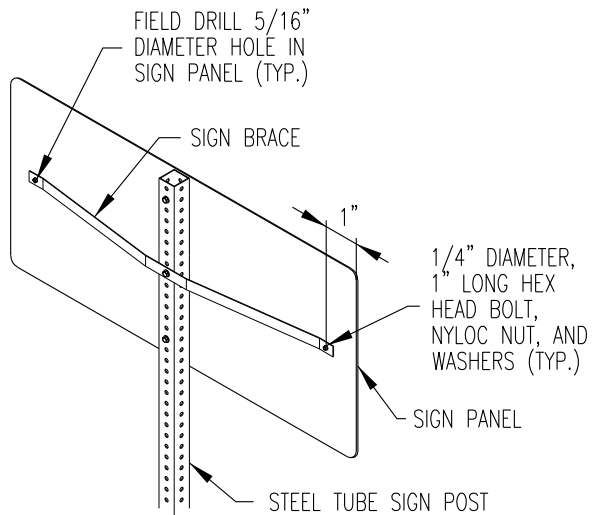


SIGN ATTACHMENT ON POST

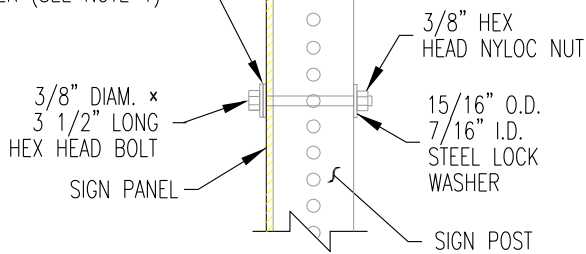


SIGN ATTACHMENT ON STREETLIGHT POLE



**FOR ROUNDABOUT SIGNS
42" AND WIDER**

15/16" OUTSIDE DIAMETER (O.D.)
7/16" INSIDE DIAMETER (I.D.)
STEEL FLAT WASHER
AND NYLON WASHER (SEE NOTE 1)



DETAIL (A)

NOTES:

1. NYLON WASHER SHALL BE PLACED AGAINST FRONT FACE OF SIGN.



**SIGN
MOUNTING
DETAILS**

PUBLIC WORKS ENGINEERING

APPR. BY: PKR

DATE: 02.24

DRAWN BY: EY

DWG: TR6

CAD FILE: 2021_TR6_10_2024