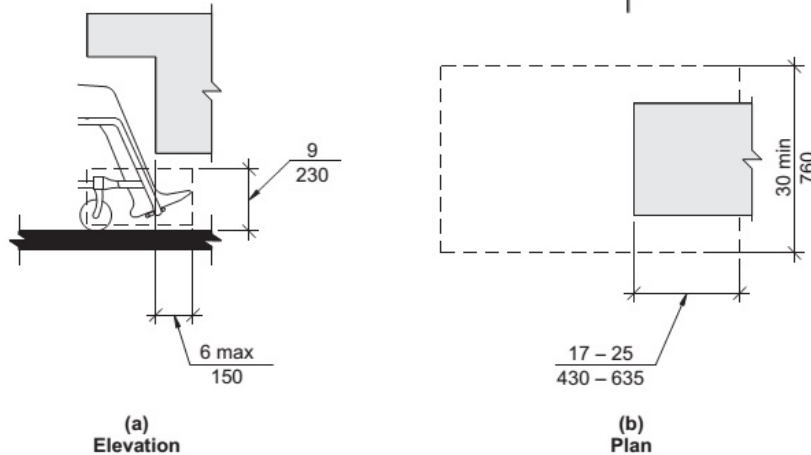
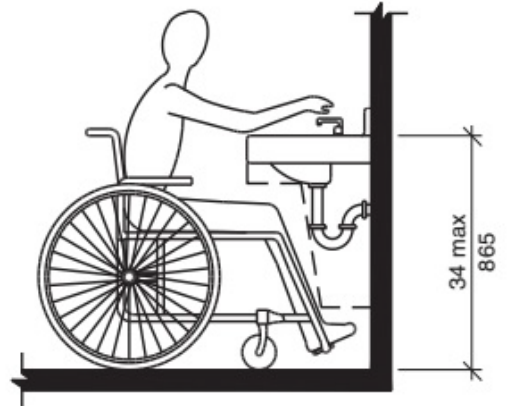


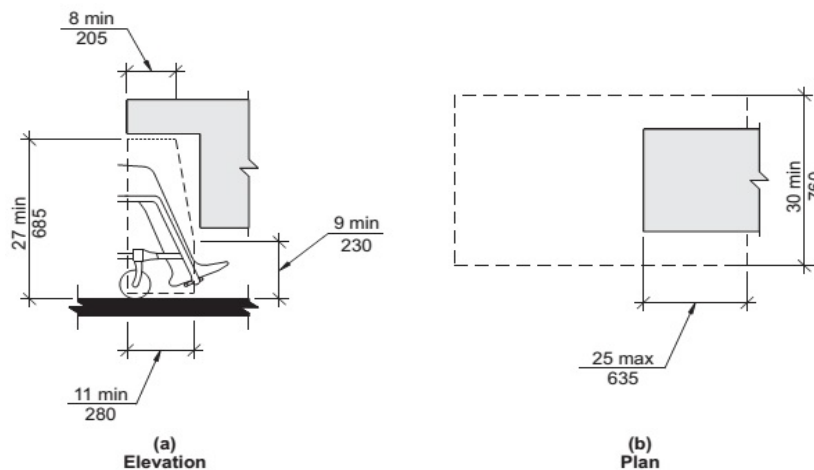
A117.1, 2017 ACCESSIBILITY REQUIREMENTS FOR SINKS

General Criteria

- Maximum height to sink rim or counter surface shall be 34-inches (606.3)
- A clear floor space of 30-inches by 48-inches shall be provided and positioned for forward approach (606.2)
- Maximum counter/sink depth of 25-inches
- Minimum toe clearance of 9-inches
- Minimum knee clearance of 27-inches



**Figure 306.2
 Toe Clearance**



**Figure 306.3
 Knee Clearance**

A117.1, 2017 ACCESSIBILITY REQUIREMENTS FOR TOILETS

General Criteria

Toilet Room

- Minimum clearance of 60-inches wide by 56-inches deep (604.3)
- Centerline of toilet shall be 16-inches to 18-inches from sidewall (604.2)
- Seat height of 17-inches to 19-inches (604.4)
- Grab bars per figures provided (604.5)
- Flush control on open side of toilet (604.6)
- Dispensers per figure provided (604.7)

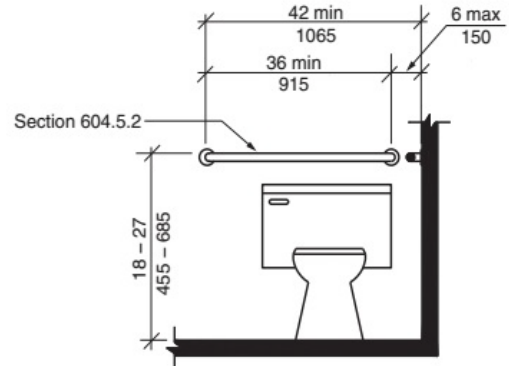


Figure 604.5.1
Side Wall Grab Bar at Water Closets

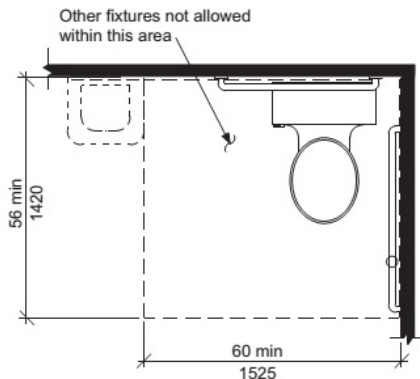
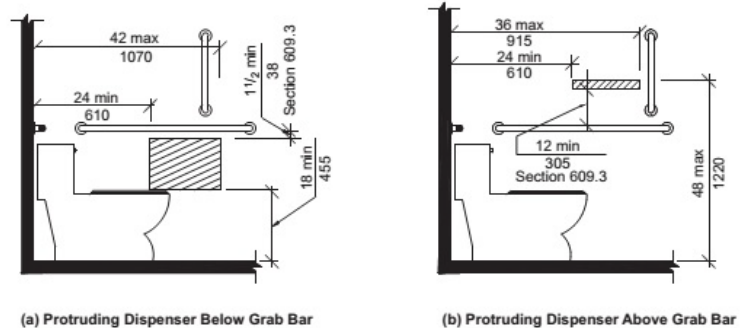


Figure 604.3
Size of Clearance for Water Closet



(a) Protruding Dispenser Below Grab Bar

(b) Protruding Dispenser Above Grab Bar

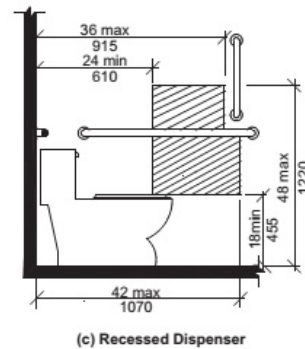


Figure 604.7
Dispenser Outlet Location

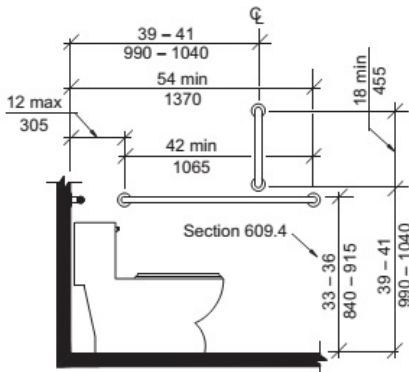


Figure 604.5.1
Side Wall Grab Bar at Water Closets

ACCESSIBILITY REQUIREMENTS FOR GRAB BARS IN COMMERCIAL BUILDINGS

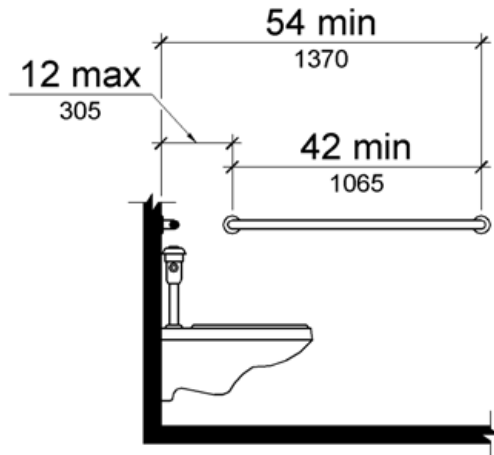


Figure 604.5.1
Side Wall Grab Bar at Water Closets

604.5.1 Side Wall. The side wall grab bar shall be 42 inches (1065 mm) long minimum, located 12 inches (305 mm) maximum from the rear wall and extending 54 inches (1370 mm) minimum from the rear wall.

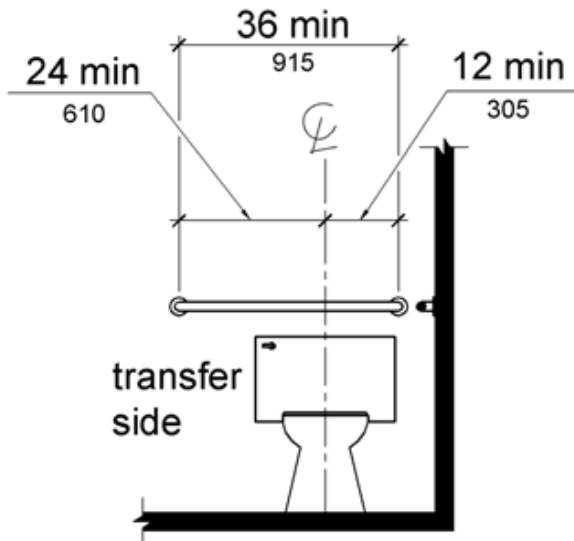


Figure 604.5.2
Rear Wall Grab Bar at Water Closets

604.5.2 Rear Wall. The rear wall grab bar shall be 36 inches (915 mm) long minimum and extend from the centerline of the water closet 12 inches (305 mm) minimum on one side and 24 inches (610 mm) minimum on the other side.

EXCEPTIONS:

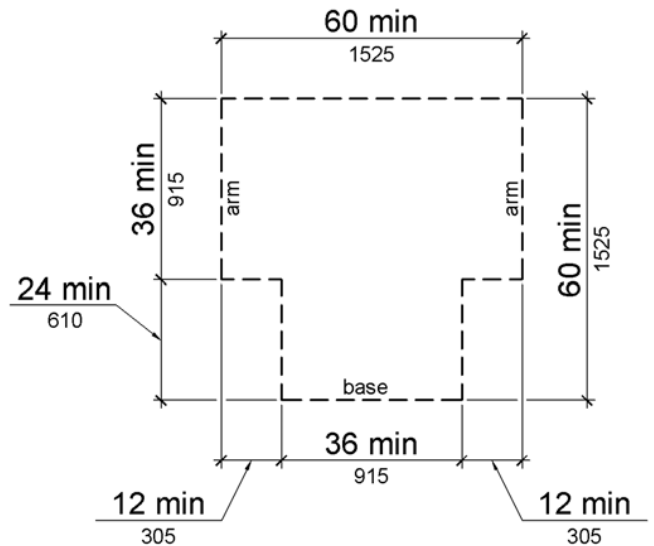
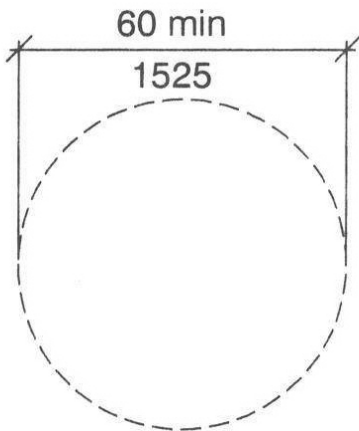
1. The rear grab bar shall be permitted to be 24 inches (610 mm) long minimum, centered on the water closet, where wall *space* does not permit a length of 36 inches (915 mm) minimum due to the location of a recessed fixture adjacent to the water closet.
2. Where an *administrative authority* requires flush controls for flush valves to be located in a position that conflicts with the location of the rear grab bar, then the rear grab bar shall be permitted to be split or shifted to the open side of the toilet area.



ACCESSIBILITY REQUIREMENTS FOR TOILET ROOMS AND COMPARTMENTS

Either the standard 60" turning Circle or the T-shaped turning space shown on this handout are allowed. Doors can swing into this turning space but cannot swing into the clearance around the toilet or the sink (see other handouts). This turning space can overlap with the clearance requirements of the other handouts (toilets and sinks).

Either of these turning spaces can use a knee and toe clearance underneath a sink as part of their turning area.





ACCESSIBILITY REQUIREMENTS AT DOORS

Please note that these drawings and this information is not meant to be a comprehensive list of all the requirements that apply to doors. These are simply the most commonly asked questions and the most common problems encountered during construction. The actual verbiage of the requirements can be obtained from the 2009-A117.1 standard. Many other requirements exist relative to accessibility and maneuvering at all doors and doorways. Please ask questions before you install something. The City will try to help where it can. In projects where an architect or engineer (generally on commercial projects over 4,000 s.f. in size) is responsible for the accessibility design, please consult with them, as they will be required to design and draw the details for accessibility.

In drawing (a) below, the only door that will meet this minimum clear width is a 36" wide door. That is why you will see all doors in commercial buildings being 3'-0" wide.

In drawing (b) below, the most common problem with sliding doors is the handle, which may prevent the door from opening to 32" wide. Make sure before buying the door hardware.

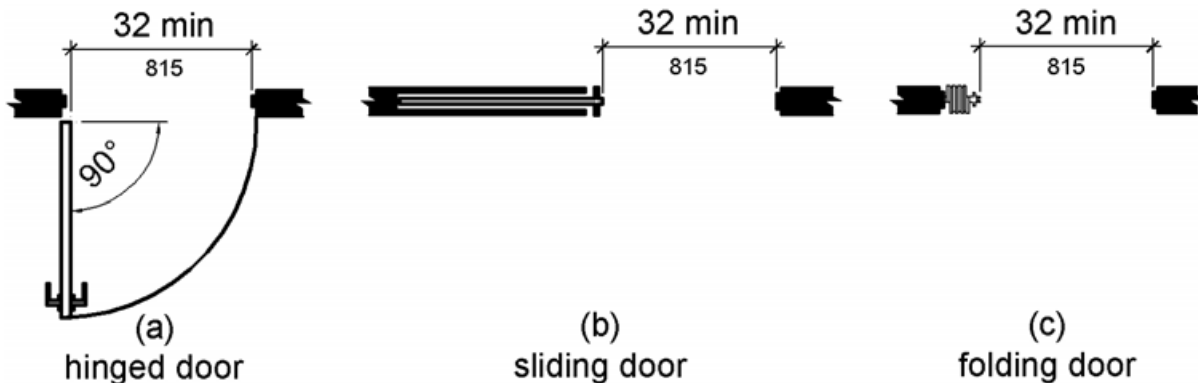
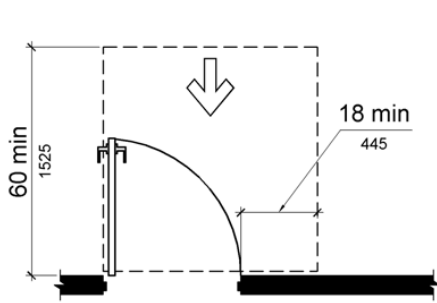


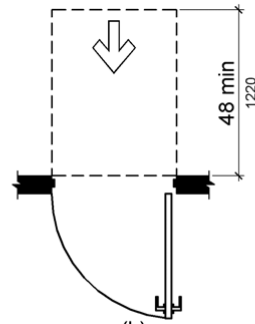
Figure 404.2.3
Clear Width of Doorways



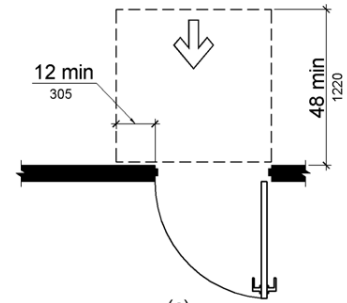
ACCESSIBILITY REQUIREMENTS FOR MANEUVERING CLEARANCE AT DOORS



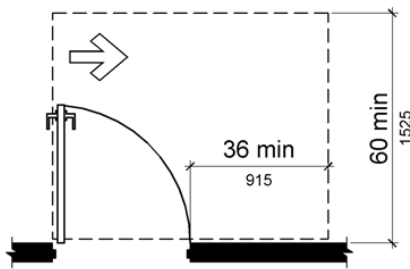
(a)
front approach, pull side



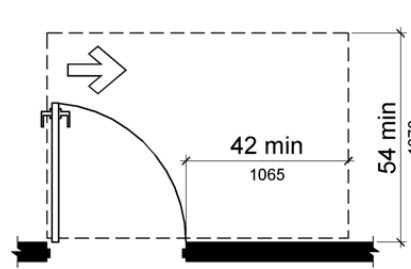
(b)
front approach, push side



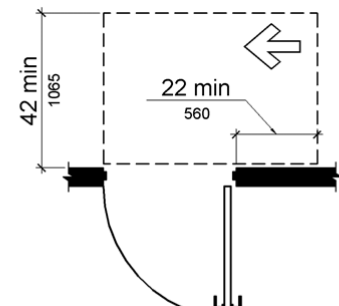
(c)
front approach, push side, door
provided with both closer and latch



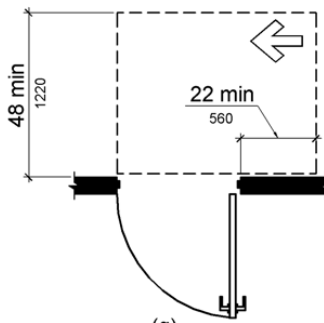
(d)
hinge approach, pull side



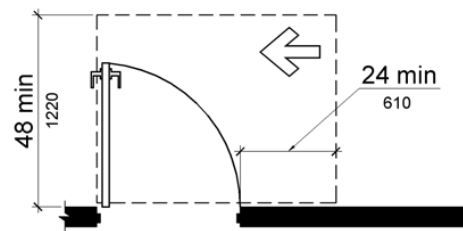
(e)
hinge approach, pull side



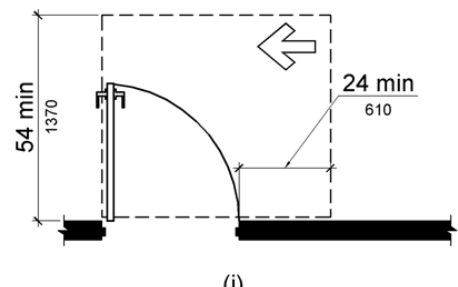
(f)
hinge approach, push side



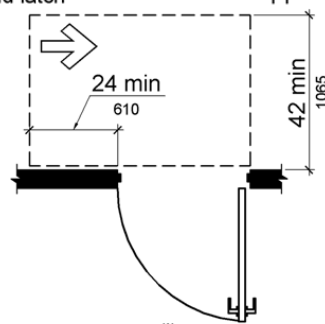
(g)
hinge approach, push side, door
provided with both closer and latch



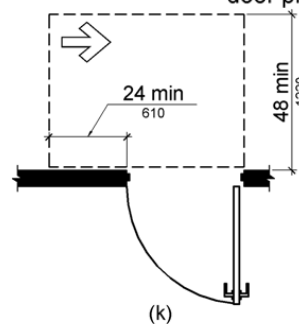
(h)
latch approach, pull side



(i)
latch approach, pull side,
door provided with closer



(j)
latch approach, push side



(k)
latch approach, push side,
door provided with closer