



PRESSURE RELIEF VALVES & WATER HEATERS

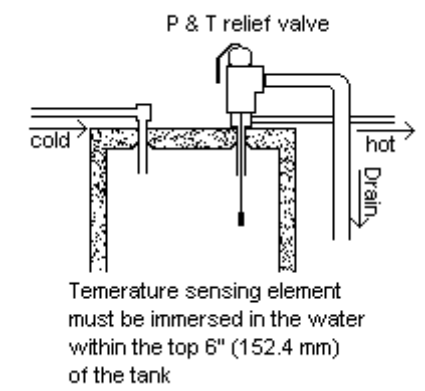
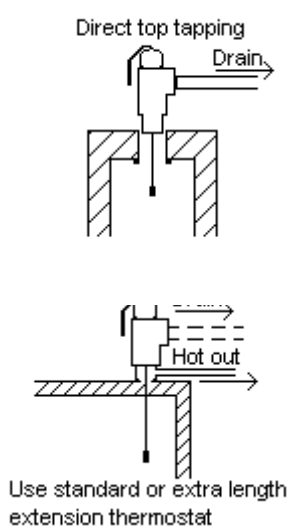
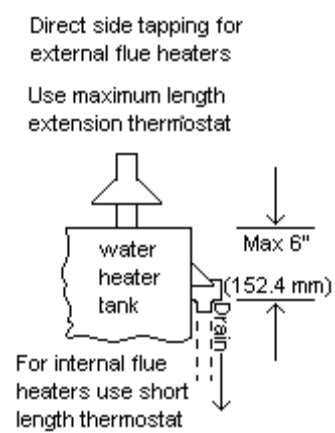
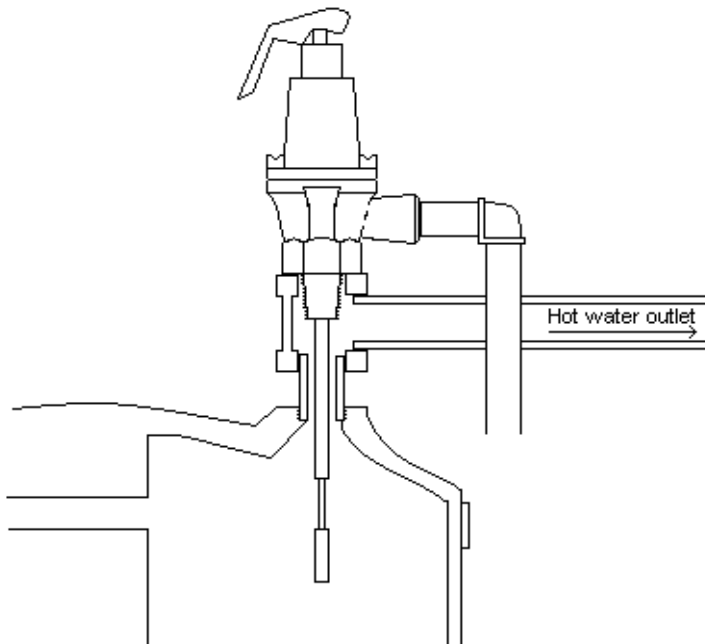
All appliances and equipment used for heating or storing water shall be protected by either a pressure relief valve and a temperature relief valve or a combination pressure and temperature relief valve and are required to meet the following;

1. Shall have a minimum rated capacity for the equipment served and shall conform to ANSI Z21.22
2. Provided with a full size drain not smaller than the relief valve outlet and fittings and piping will be constructed out of approved materials;
3. Drained to the outside of the building when located inside a building and the end of the drain pipe shall terminate not more than two feet (0.6M) nor less than six inches (152.4 mm) above the ground and pointed downward.

Relief valve drain piping shall have positive slope, not be trapped and the terminal end shall not be threaded.

The relief valve drain shall terminate outside the building. However, because this drain is occasionally impractical to use due to freezing, structural or safety hazard conditions, it may terminate in other approved locations acceptable to the Administrative Authority.

In addition to the primary temperature controls, an over temperature safety protection device, constructed, listed and installed in accordance with nationally recognized standards shall be provided. This does not prevent the use of an approved combination temperature and pressure relief valve, when installed in accordance with its listing requirements and the manufacturer's instructions.



Ratings of combination pressure and temperature relief valves for water heating devices are based upon the listed temperature relieving capacity exceeding that of the BTU watts input rating and are constructed and rated under ANSI Z21.22 and have a discharge capacity based upon temperature steam ratings.



WATER HEATER INSTALLATIONS

- ◆ Water heaters shall be installed in accordance with the manufacturers listing.
- ◆ Water line connections must be made with copper pipe or tubing, galvanized pipe, or other approved materials. Approved plastic materials must not occur within 18 inches of the connections unless otherwise specified by the material listing.
- ◆ Water heaters located above a ceiling, framed floor assemblies, or in a location where damage from leaking may occur, must have a corrosion resistant and watertight pan beneath them. A minimum $\frac{3}{4}$ inch pan drain must extend to an approved and conspicuous point of disposal.
- ◆ Gas water heaters shall not be installed in a bedroom, bathroom or an enclosed space opening into such a room, unless the water heater is of a direct vent type.
- ◆ Gas water heaters located in a garage shall be elevated on an approved platform so that any source of ignition such as an open combustion chamber, is a minimum of 18 inches above finished floor.
- ◆ Water heaters must be protected from physical damage by a moving vehicle.
- ◆ Water heaters located in an unheated area shall have the water lines insulated with a material providing a minimum R-3 insulation value.
- ◆ All water heaters and storage tanks shall be in an accessible location for servicing and replacement.
- ◆ Water heaters shall have 2 straps placed at 1/3 points vertically, anchored to wall or other structure. A minimum 4-inch clearance must be maintained between straps and any operating controls.

The listed installation requirements are not to be construed as a complete list of all code requirements for water heater installations.