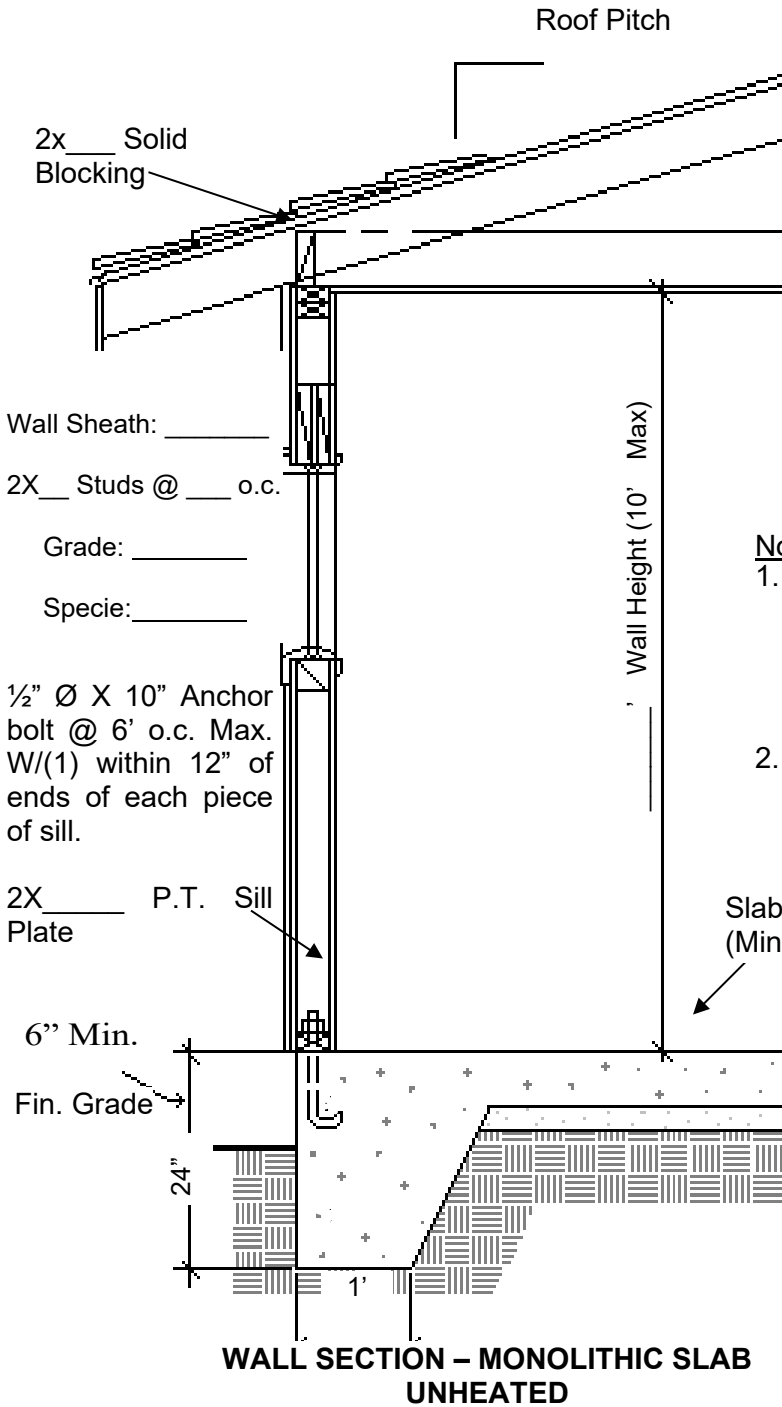




WOOD FRAME ACCESSORY STRUCTURE



Roofing: _____
 Sheathing: _____

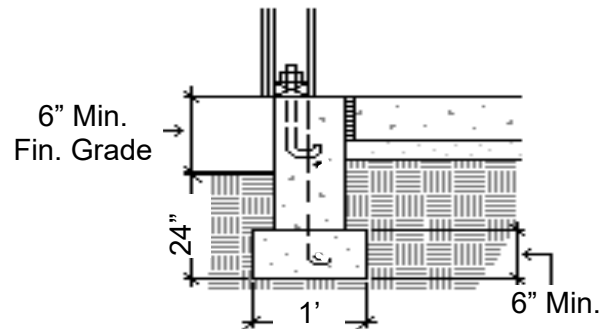
Roof Framing:
 If using manufactured trusses, provide a copy of the truss sheet from the truss manufacturer or specify:

2X _____ Rafters @ _____" o.c.
 Specie: _____, Grade: _____
 2X _____ Ceiling Joists @ _____" o.c.
 Specie: _____, Grade: _____

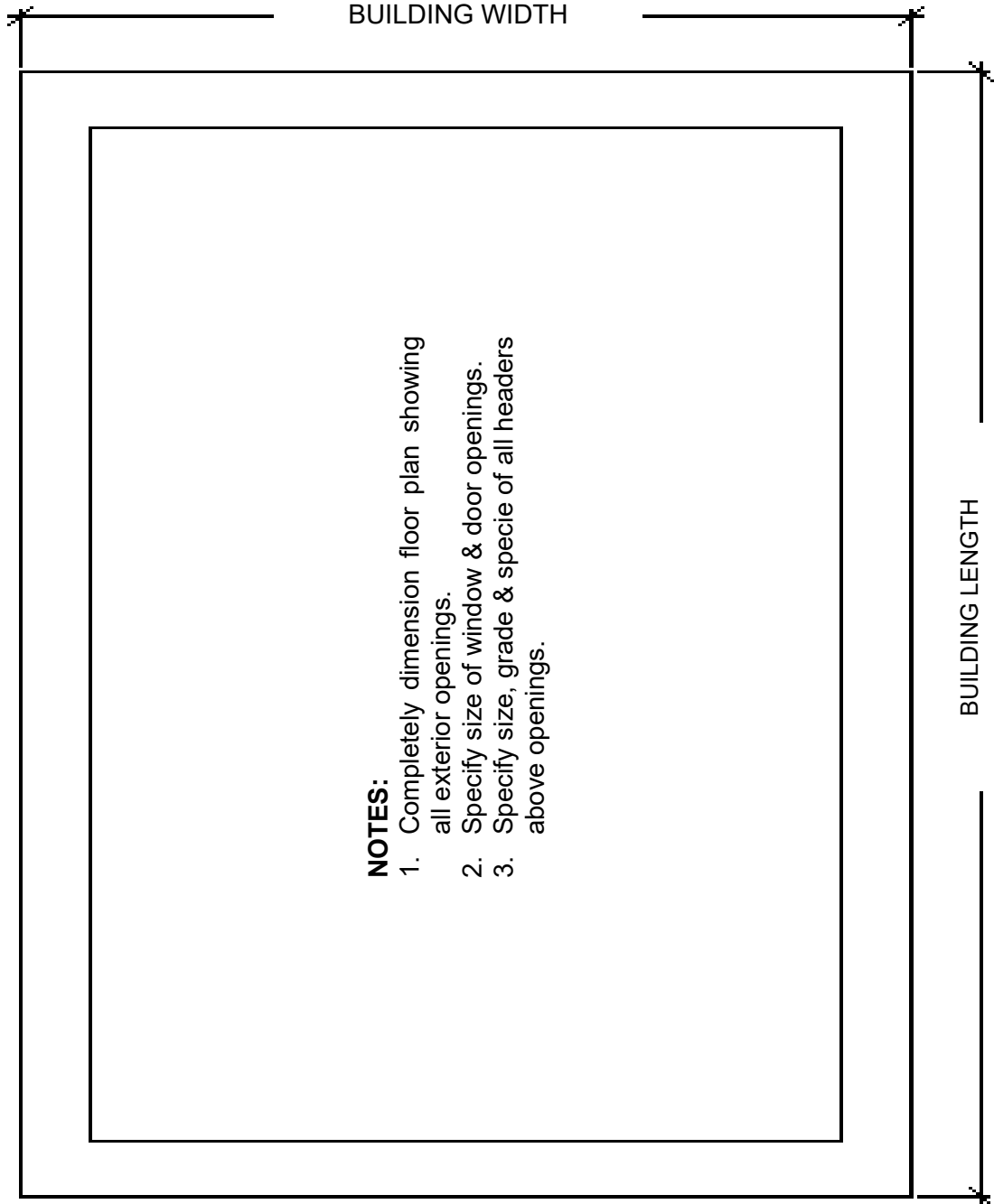
Notes:

1. If interior is finished,
 - a. Specify finish material
 - b. Provide Min. 22" X 30" attic access if any portion of attic is greater than 30" in height.
 - c. Specify how attic ventilation will be provided.
2. If lot is not flat,
 - a. Provide elevations showing finished grade.

Slab thickness _____"
 (Min 3 1/2")



FLOOR PLAN



NOTES:

1. Completely dimension floor plan showing all exterior openings.
2. Specify size of window & door openings.
3. Specify size, grade & specie of all headers above openings.