

IRRIGATION DISTRIBUTION NOTES

1. PIPING SHALL BE INSTALLED WITH A MINIMUM OF 30 INCHES OF COVER ABOVE TOP OF PIPE.
2. IRRIGATION PIPE SHALL MEET THE FOLLOWING REQUIREMENTS:

 DISTRIBUTION MAIN AND SERVICES LOCATED IN BACKYARD EASEMENTS: CLASS 200 PVC, SDR 21 OR BETTER. GLUED JOINTS AND FITTINGS ARE ALLOWED ON PIPE SIZES LESS THAN 4 INCH. TWO PART GLUE AND PRIMER REQUIRED. PVC SCH 80 REQUIRED FOR SERVICES.

 DISTRIBUTION MAIN LOCATED IN CITY STREET RIGHT OF WAY: C900 PVC, DR18

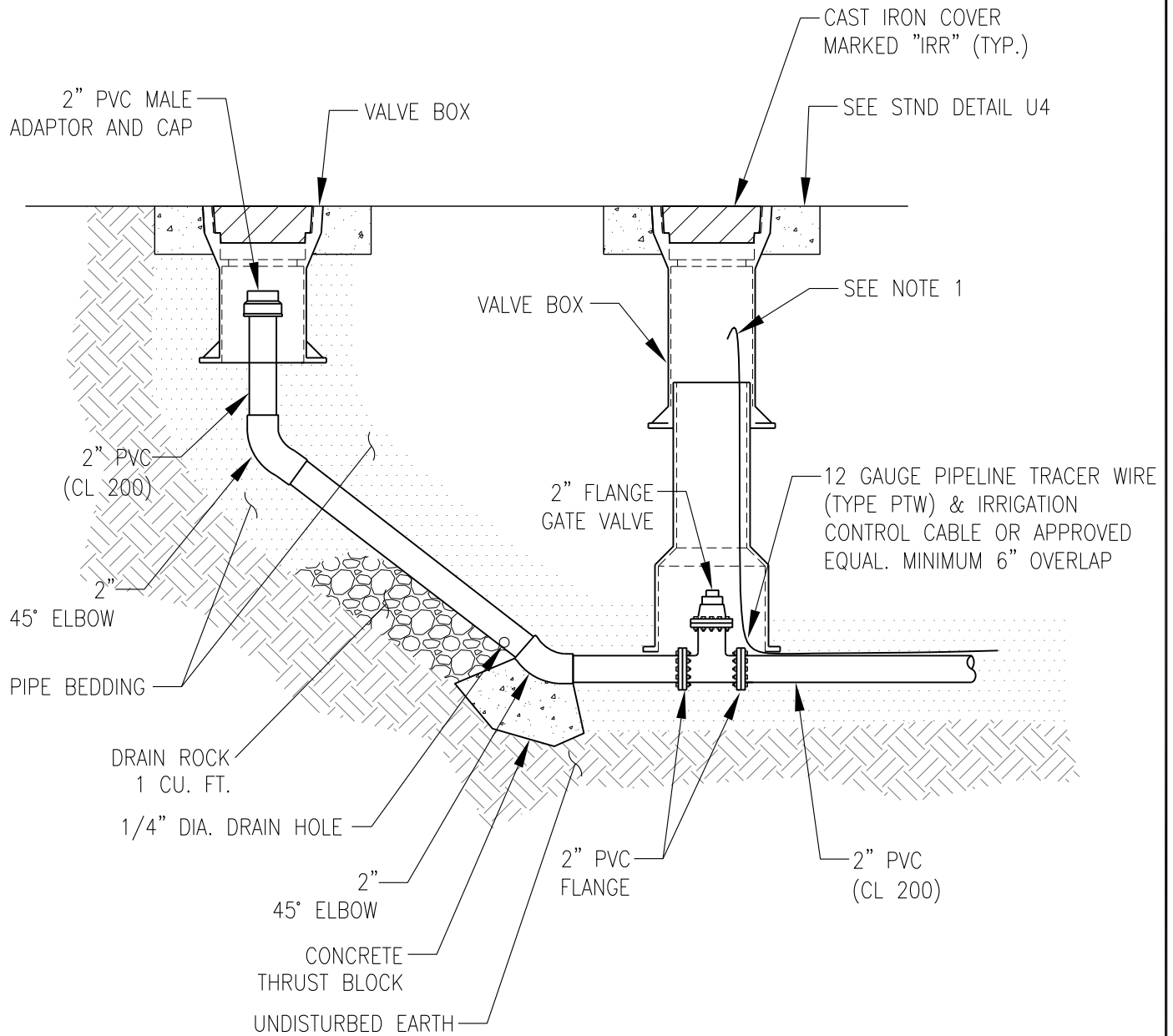
 DISTRIBUTION SERVICES LOCATED IN CITY STREET RIGHT OF WAY: 1 1/4" OR 2" PE TUBING, AWWA C901-96 PE 3408 (CTS)DR9

 ALL PIPE SHALL BE PURPLE IN COLOR OR HAVE PURPLE STRIPE.
3. BACKFILL MATERIAL SHALL CONTAIN NO ROCK, ORGANIC MATTER OR MATERIALS LARGER THAN 6 INCHES. PIPE TO BE BEDDED FULL WIDTH OF TRENCH 4 INCHES BELOW BOTTOM OF PIPE AND 6 INCHES ABOVE TOP OF PIPE WITH APPROVED NATIVE OR IMPORTED BEDDING MATERIAL.
4. IDENTIFICATION TAPE SHALL BE INSTALLED 12 INCHES BELOW FINISHED GRADE OVER ALL PIPES LOCATED WITHIN PUBLIC STREET RIGHT-OF-WAY. TAPE SHALL BE 2 INCHES WIDE PLASTIC COATED ALUMINUM AND SHALL BE CLEARLY MARKED "CAUTION IRRIGATION LINE BURIED BELOW," CONTINUOUSLY ALONG THE LENGTH OF THE TAPE WITH MINIMUM 1/2 INCH LETTERS. TAPE SHALL BE PURPLE IN COLOR.
5. TRACER WIRE SHALL BE SECURED TO ALL UNDERGROUND IRRIGATION PIPING WITH DUCT TAPE AT 10 FOOT INTERVALS. WIRE SHALL BE 12 GAUGE PIPELINE TRACER WIRE (TYPE PTW) SINGLE STRAND. 8"-10" TAILS SHALL BE INSTALLED IN EVERY VALVE BOX. SEE DETAIL.
6. GATE VALVES SHALL HAVE A NON-RISING STEM GATE WITH AN "O" RING SEAL AND RESILIENT SEAL. THE OPERATOR SHALL BE A 2 INCH SQUARE NUT. ALL VALVES SHALL HAVE FLANGE OR MECHANICAL JOINT CONNECTIONS MEETING AWWA C-509 STANDARDS.
7. VALVE BOXES SHALL BE INSTALLED ON ALL VALVES. VALVE BOXES SHALL BE CAST IRON, TWO PIECE SLIP TYPE, PER MATERIAL LIST. VALVE BOX COVER SHALL HAVE "IRR" OR "IRRIGATION" STAMPED ON IT. 9" THICK, 24" DIAMETER CONCRETE COLLARS SHALL BE PLACED AROUND ALL VALVE BOXES LOCATED IN UNPAVED AREAS. SEE STANDARD DETAIL U4.
8. THRUST BLOCKS ARE REQUIRED AT ALL FITTINGS, EXCEPT TEES LEADING TO SINGLE SERVICE RISERS.
9. ALL FITTINGS 3 INCHES AND BELOW SHALL BE SOLVENT WELDED. ALL FITTINGS 4 INCHES AND ABOVE SHALL BE CAST IRON MEETING AWWA STANDARDS.
10. IRRIGATION SYSTEM SHALL BE PRESSURE TESTED AT 100 PSI, AND HELD FOR ONE HOUR WITH NO PRESSURE LOSS.



RESIDENTIAL IRRIGATION DISTRIBUTION NOTES

PUBLIC WORKS ENGINEERING	
APPR. BY: PKR	DATE: 12.2017
DRAWN BY: LD	DWG: IRR1
CAD FILE: 2013_IRR1_12_2017	



ELEVATION

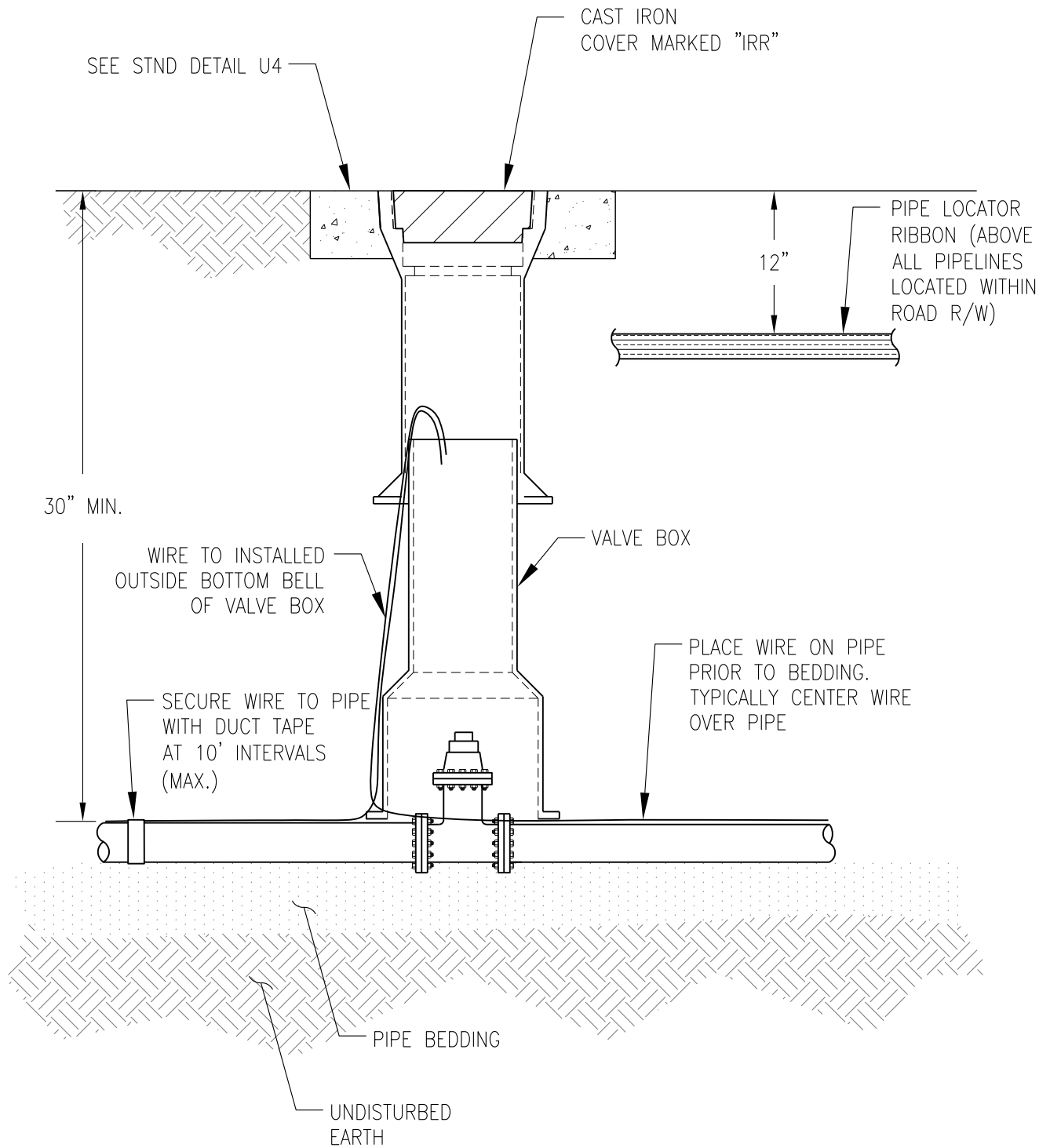
NOTE:

1. INSTALL 8"–10" TAIL PIECE OF TRACER WIRE INSIDE EVERY VALVE BOX. IF THE DISTANCE BETWEEN VALVE BOXES OR RISERS IS GREATER THAN 300'. INSTALL CARSONITE WATER SERVICE MARKER WITH TRACER WIRE.



**2" IRRIGATION
DISTRIBUTION
BLOW-OFF**

PUBLIC WORKS ENGINEERING	
APPR. BY: PKR	DATE: 12.2010
DRAWN BY: SC NYBY	DWG: IRR2
CAD FILE: 2012_IRR2_12_2010	

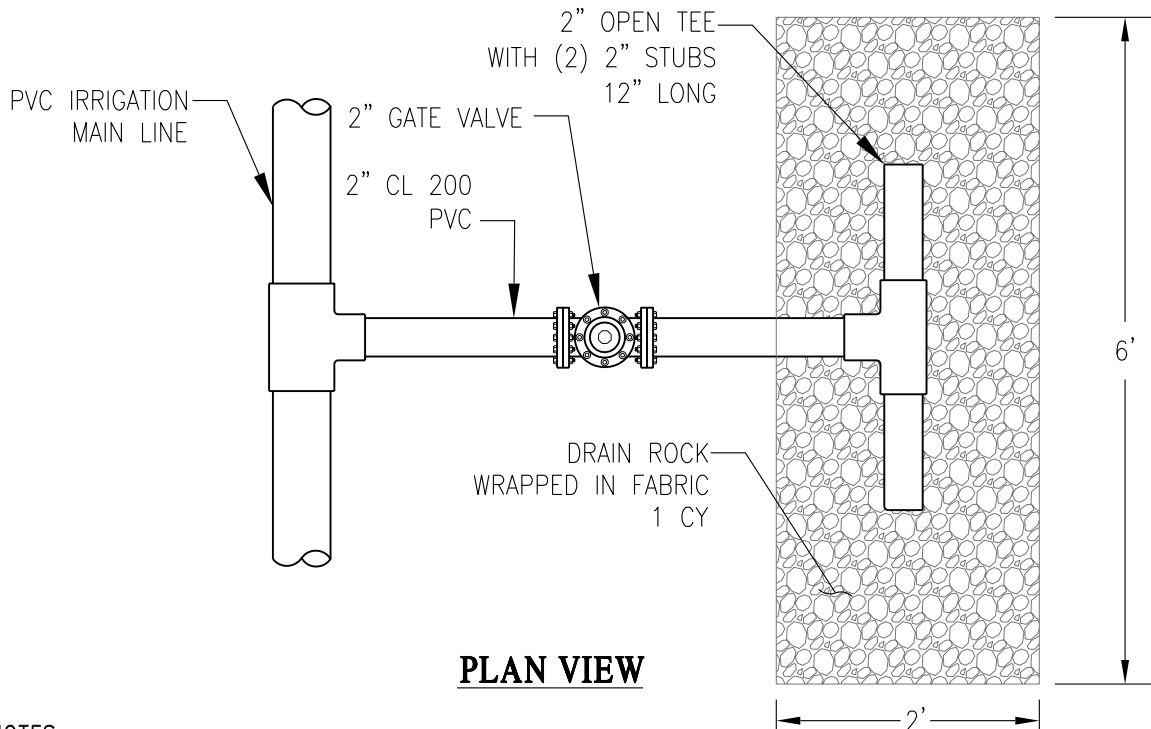


ELEVATION



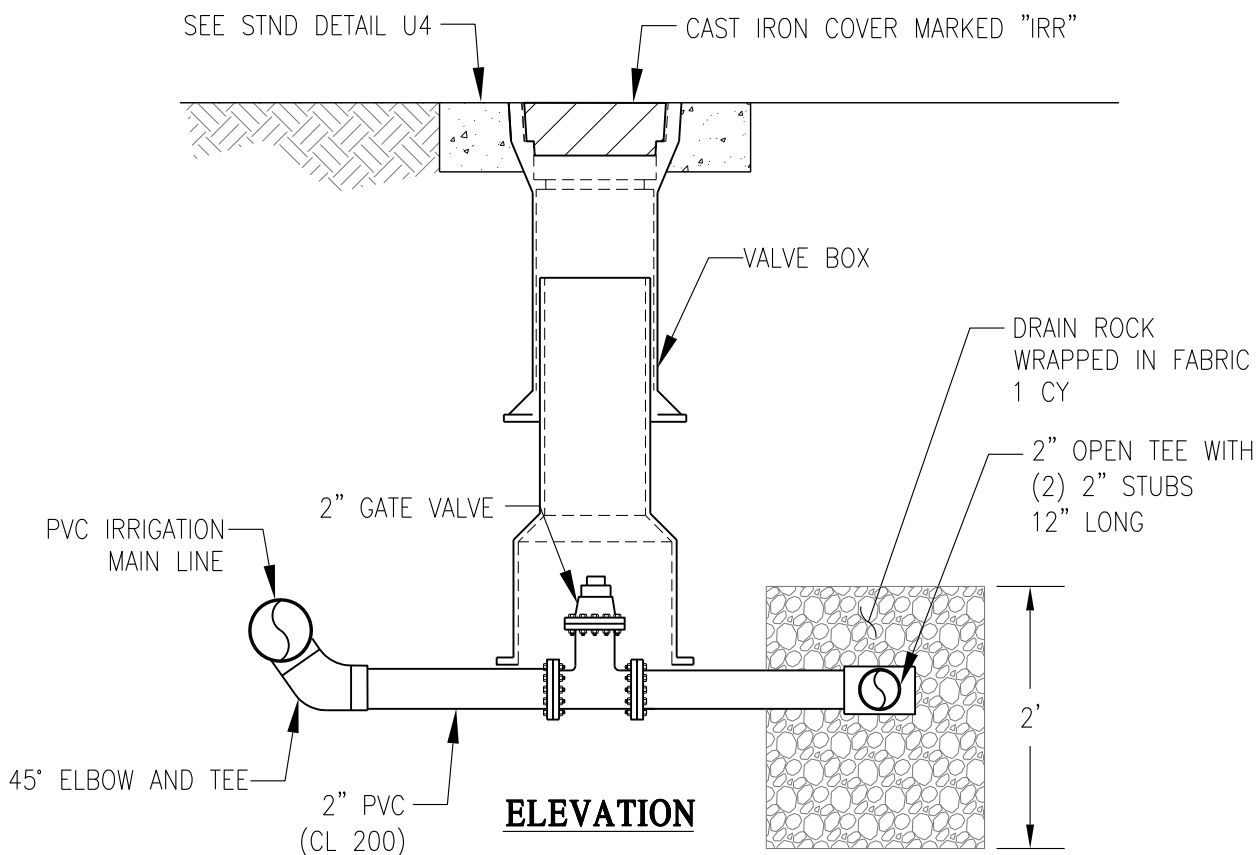
**IRRIGATION
DISTRIBUTION
VALVE ASSEMBLY**

PUBLIC WORKS ENGINEERING	
APPR. BY: PKR	DATE: 12.2010
DRAWN BY: SC NYBY	DWG: IRR3
CAD FILE: 2012_IRR3_12_2010	



NOTES:

1. USE WHEN NOT DRAINED TO STORM DRAIN SYSTEM.
2. INSTALL DRAIN AT THE LOW POINT OF THE SYSTEM.



**2" IRRIGATION
DISTRIBUTION
DRAIN**

PUBLIC WORKS ENGINEERING

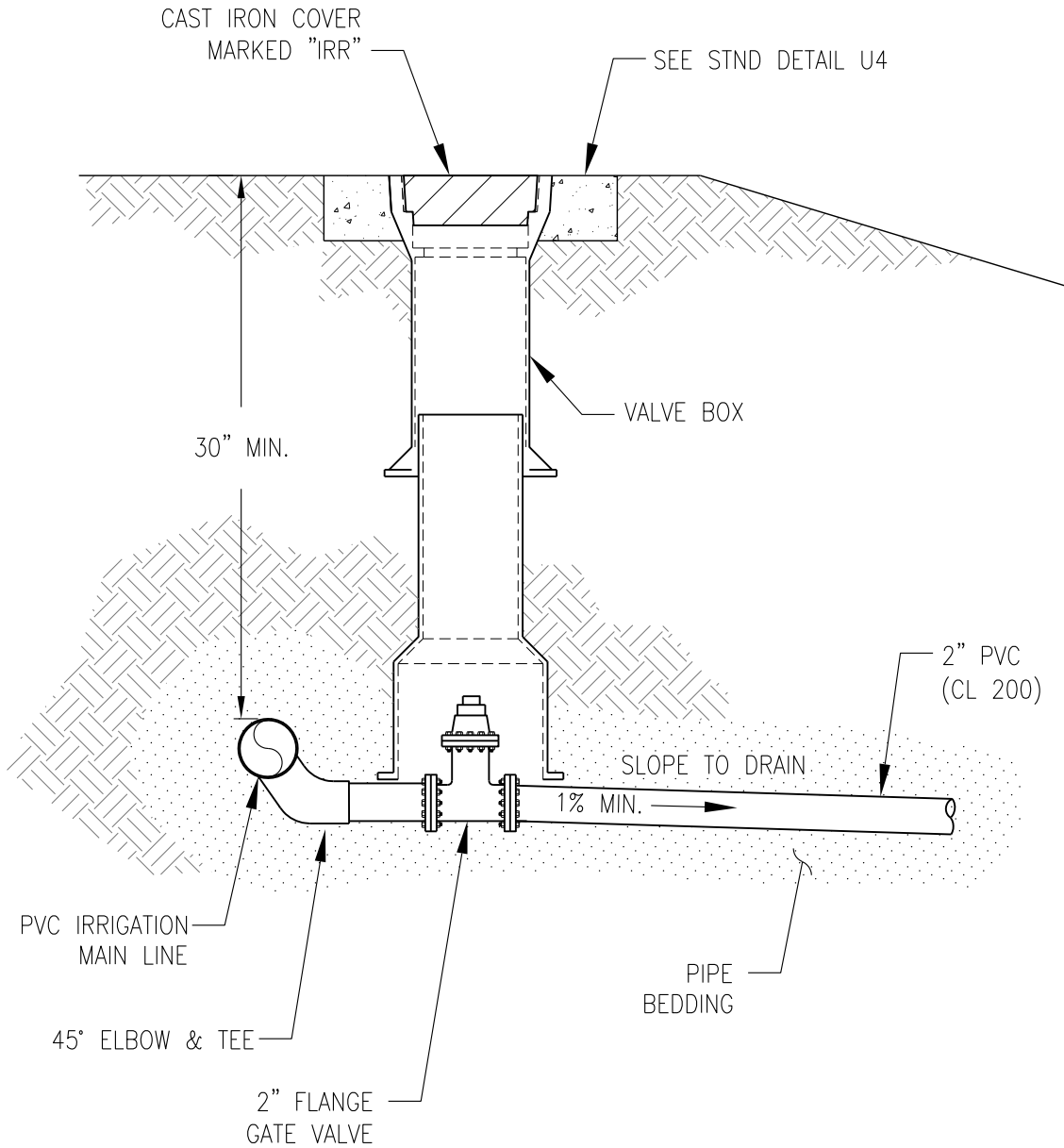
APPR. BY: PKR

DATE: 12.2010

DRAWN BY: SC NYBY

DWG: IRR4

CAD FILE: 2012_IRR4_12_2010



ELEVATION

NOTE:

1. PENETRATION INTO THE STORM DRAIN SYSTEM SHALL BE HIGHER THAN LOWEST INVERT ELEVATION OF THE STRUCTURE. CUT FLUSH INSIDE BARREL AND SAND COLLAR SHALL BE USED. THE ENTRANCE HOLE SHALL BE SAWCUT, AND THE SAND COLLAR SHALL BE GROUTED INSIDE AND OUT.



**2" IRRIGATION
DISTRIBUTION DRAIN (TO
STORM DRAIN SYSTEM)**

PUBLIC WORKS ENGINEERING

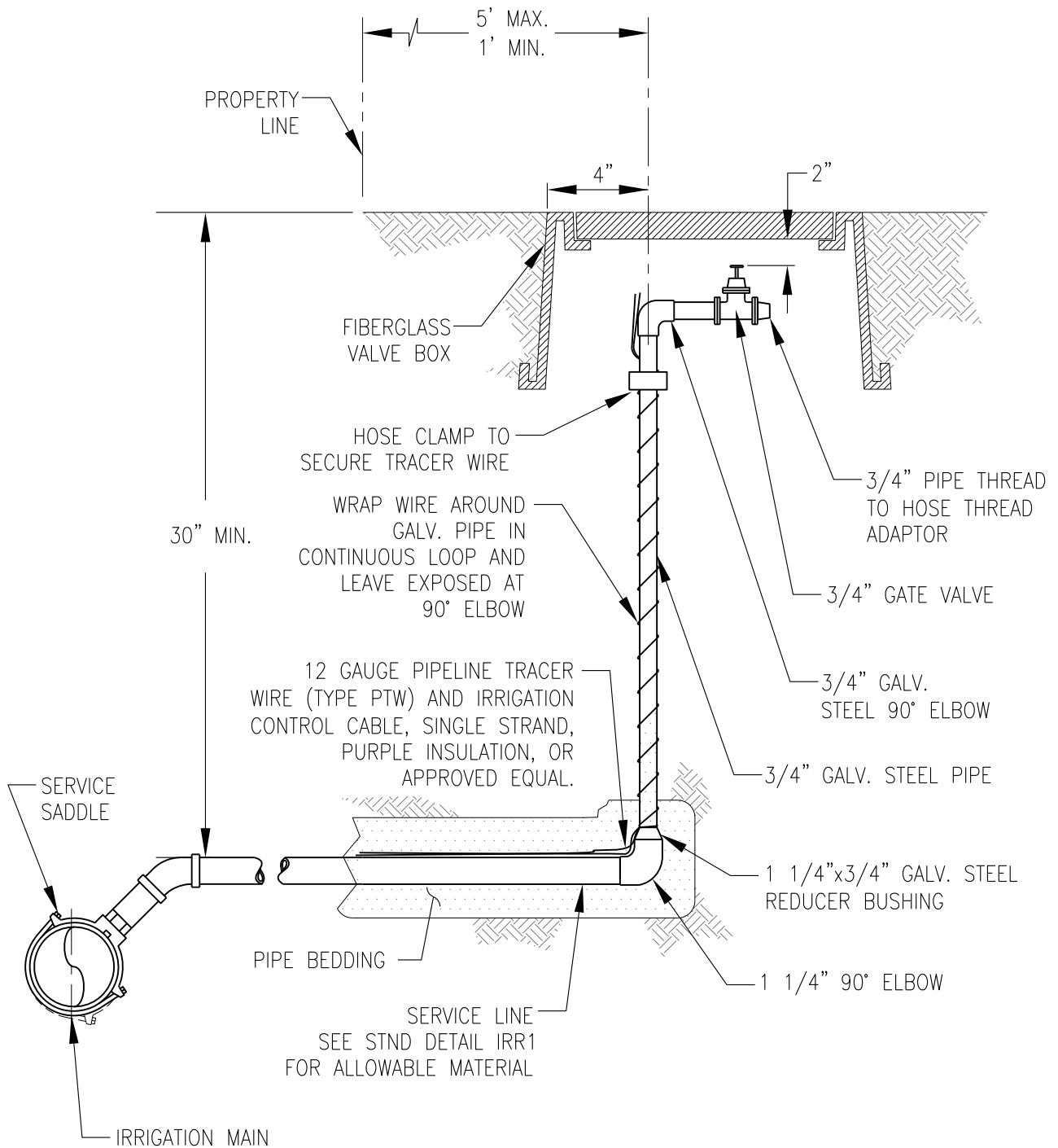
APPR. BY: PKR

DATE: 12.2010

DRAWN BY: SC NYBY

DWG: IRR5

CAD FILE: 2012_IRR5_12_2010



IRRIGATION DISTRIBUTION SERVICE RISER

PUBLIC WORKS ENGINEERING

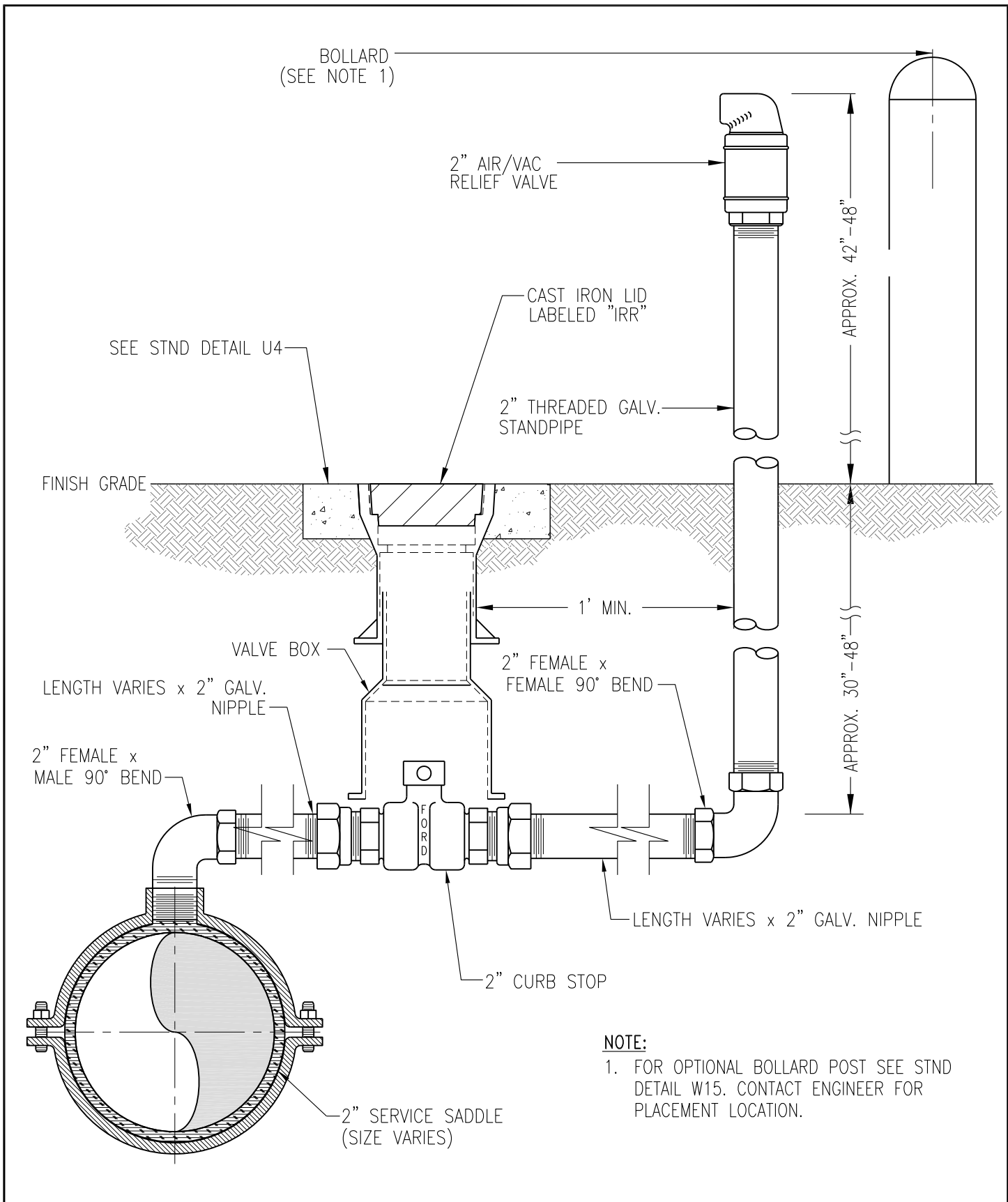
APPR. BY: PKR

DATE: 11.15

DRAWN BY: LD

DWG: IRR6

CAD FILE: 2013_IRR6_11_2015



IRRIGATION
DISTRIBUTION
AIR/VAC CONNECTION

PUBLIC WORKS ENGINEERING	
APPR. BY: PKR	DATE: 11.15
DRAWN BY: LD	DWG: IRR7
CAD FILE: 2012_IRR7_11_2015	