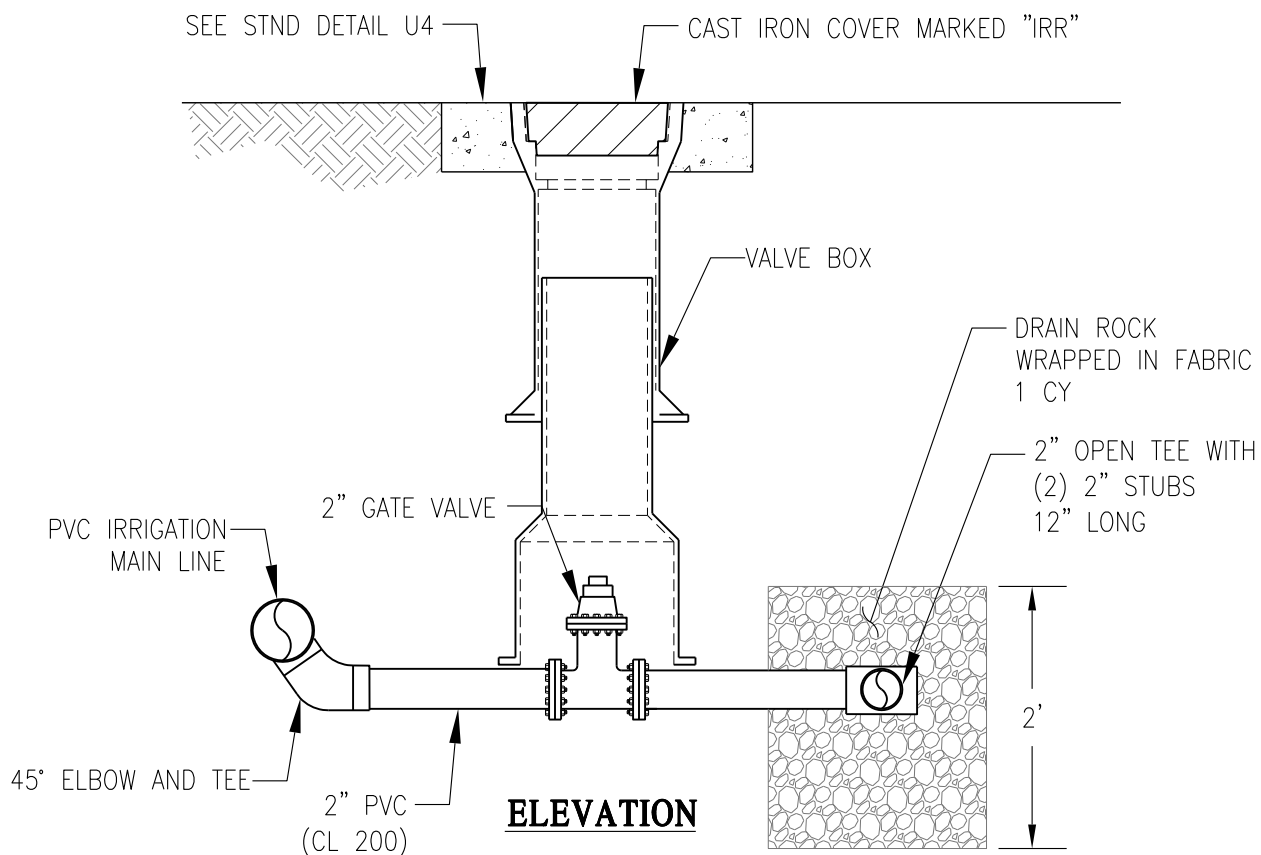


**NOTES:**

1. USE WHEN NOT DRAINED TO STORM DRAIN SYSTEM.
2. INSTALL DRAIN AT THE LOW POINT OF THE SYSTEM.



**2" IRRIGATION  
DISTRIBUTION  
DRAIN**

PUBLIC WORKS ENGINEERING

APPR. BY: PKR

DATE: 12.2010

DRAWN BY: SC NYBY

DWG: IRR4

CAD FILE: 2012\_IRR4\_12\_2010