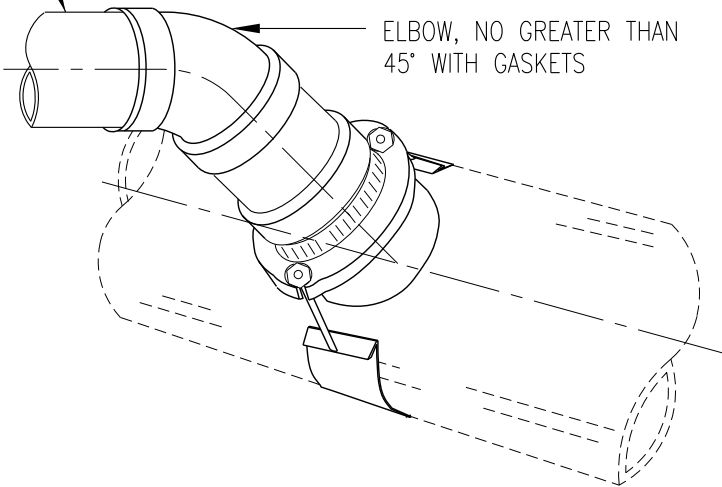


SIDE SEWER,
(ALL PIPE AND FITTINGS
SHALL BE GASKETED
TO RIGHT OF WAY)



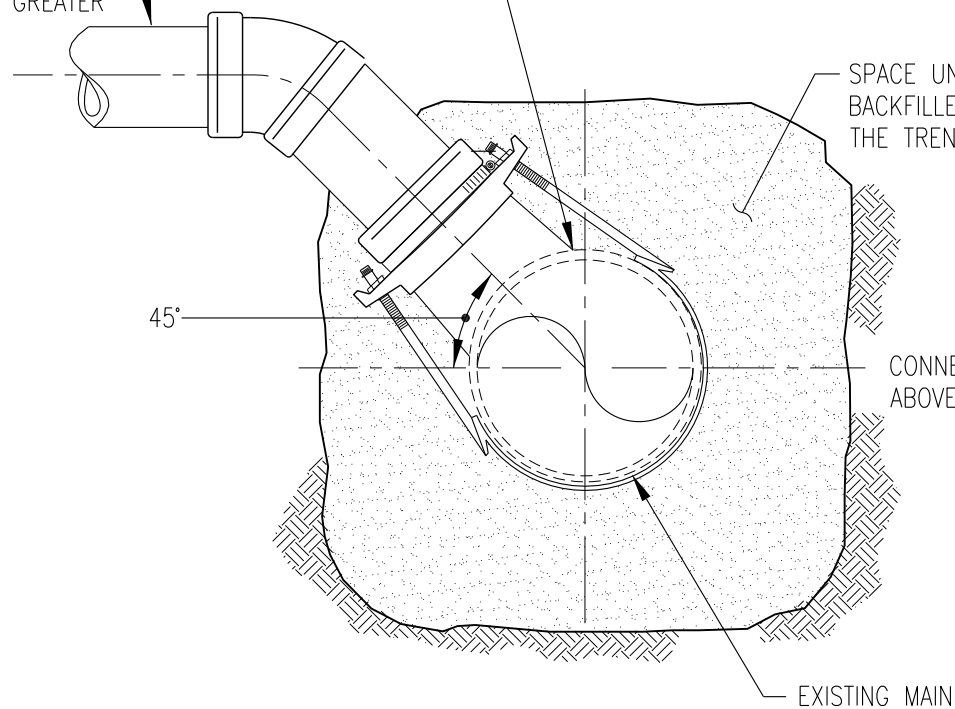
ISOMETRIC

NOTE:

1. HOLE IN MAIN SHALL BE CORE DRILLED
AND MATCH THE INSIDE DIAMETER OF SADDLE
WHERE IT ATTACHES TO MAIN.

SIDE SEWER,
PREFERRED
SLOPE 1/4" PER
FOOT OR GREATER

NO PROTRUSION
INTO MAINLINE



SECTION



**SEWER SERVICE
SADDLE CONNECTION
TO EXISTING MAIN**

PUBLIC WORKS ENGINEERING	
APPR. BY: PKR	DATE: 02.2012
DRAWN BY: JKS	DWG: S1
CAD FILE: 2012_S1_02_2012	