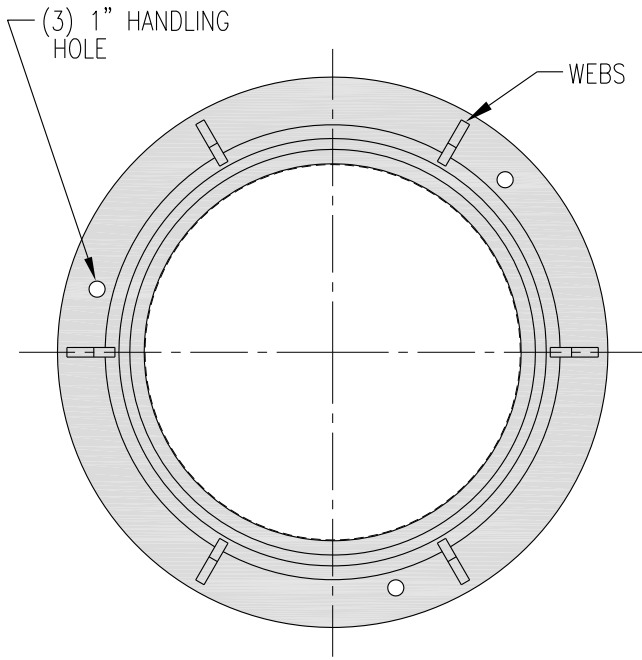
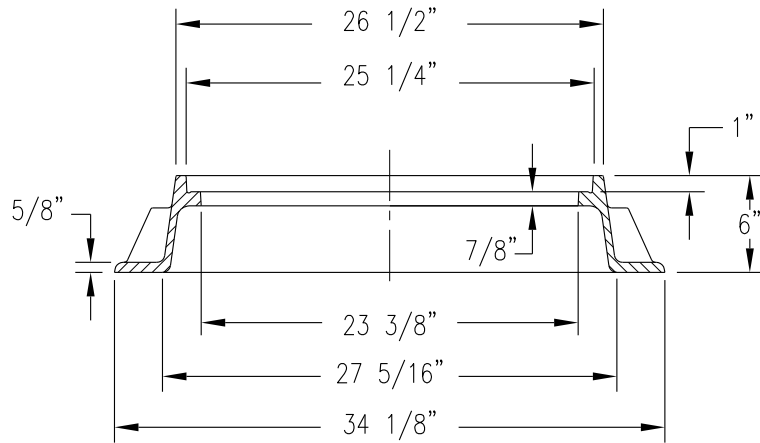


**FRAME**  
NOT TO SCALE

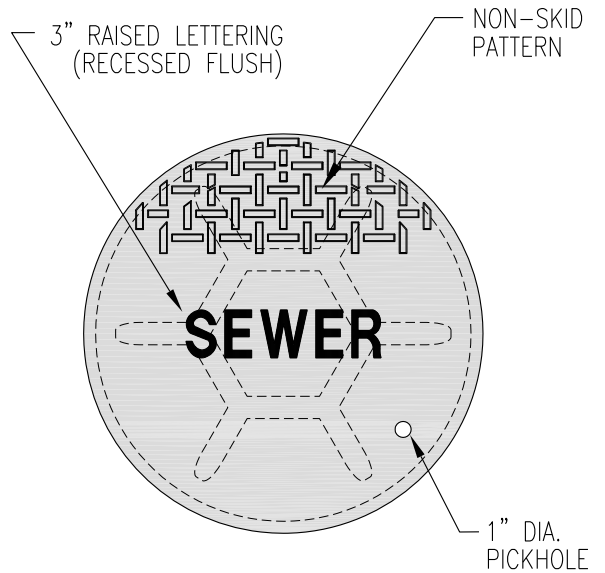


**PLAN VIEW**

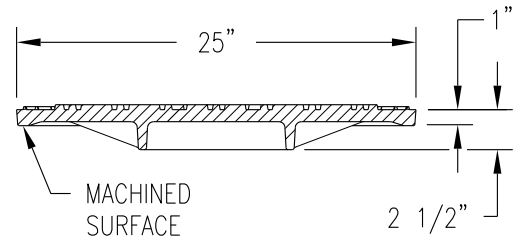


**SECTION VIEW**

**COVER**  
NOT TO SCALE



**PLAN VIEW**



**SECTION VIEW**

**NOTES:**

1. COVER - PER MATERIAL LIST  
FRAME - PER MATERIAL LIST
2. MACHINE COVER SEAT & COVER FACE.
3. LOADING - MINIMUM AASHTO H20
4. MANHOLE COVERS TO BE LETTERED AS "WATER," "SEWER," OR "DRAIN" AS REQUIRED BY TYPE OF APPLICATION.



**MANHOLE FRAME  
AND  
COVER**

PUBLIC WORKS ENGINEERING

APPR. BY: PKR

DATE: 03.2018

DRAWN BY: EY

DWG: S8

CAD FILE: 2012\_S8\_03\_2018