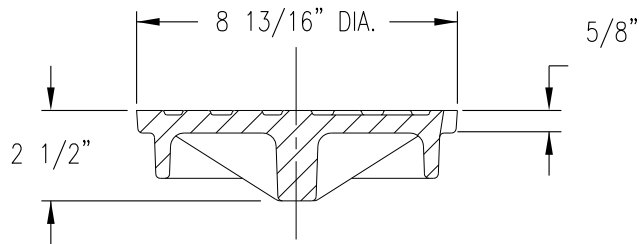
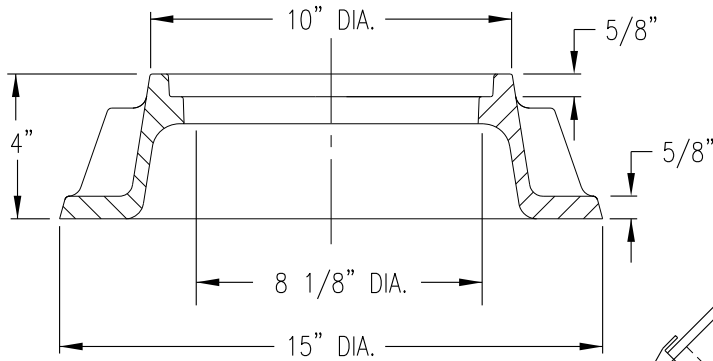
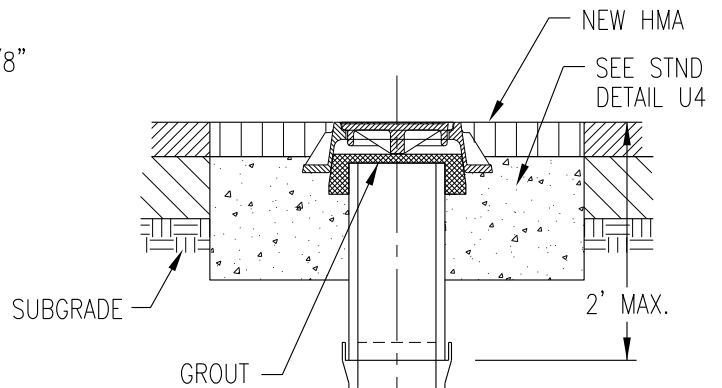


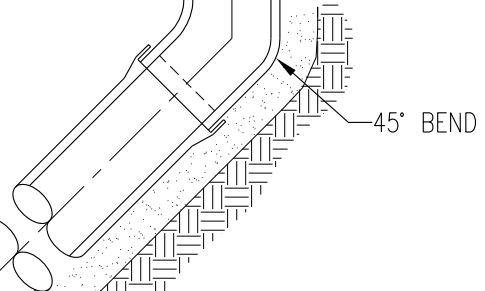
COVER - BOTTOM



COVER - SECTION



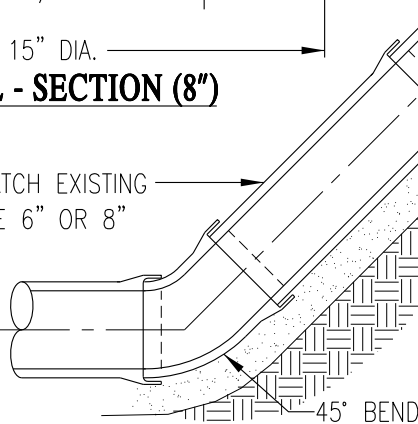
DETAIL - SECTION (8")



SECTION

SIZE TO MATCH EXISTING
MATCHLINE 6" OR 8"

BEGINNING OF CLEANOUT
SHALL BE A MIN. OF 5'
UPSTREAM OF NEAREST
SERVICE LINE



NOTES:

1. CAST IRON TO CONFORM TO ASTM A48-56, CLASS 35 B.
2. ALL SEWER PIPE SHALL BE ASTM 3034 SDR 35.



**6" & 8"
CLEANOUT
ASSEMBLY**

PUBLIC WORKS ENGINEERING

APPR. BY: PKR

DATE: 02.2012

DRAWN BY: JKS

DWG: S9

CAD FILE: 2012_S9_02_2012