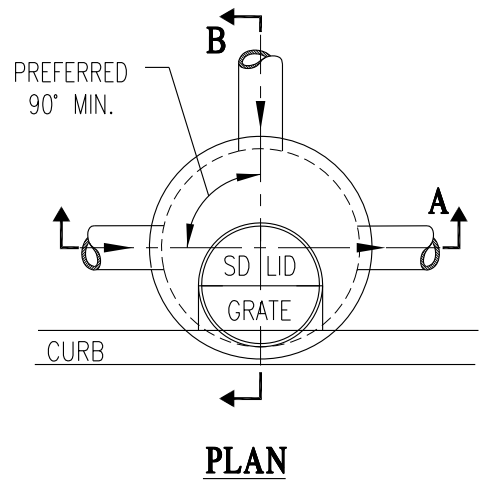


**SECTION A-A**

**SECTION B-B**

**NOTES:**

1. IN GROUNDWATER INSTALLATIONS: ALL MANHOLE JOINTS SHALL BE MADE USING A CONTINUOUS FLEXIBLE RUBBER MANHOLE GASKET JOINT. ALL HOLES, JOINTS, CONNECTIONS SHALL BE SEALED WITH GROUT ON THE OUTSIDE.
2. ALL NEW PRECAST MANHOLES SHALL BE PROVIDED WITH CAST-IN FLEXIBLE PIPE CONNECTORS. NO PIPE PENETRATIONS ALLOWED INTO PRECAST CONE SECTIONS.
3. A SHALLOW MANHOLE SHALL BE USED WHEN IT'S DEPTH IS 5.5' OR LESS FROM INVERT TO TOP OF RIM.



**PLAN**



**STORM DRAIN  
CATCH BASIN MANHOLE**

PUBLIC WORKS ENGINEERING	
APPR. BY: PKR	DATE: 10.2019
DRAWN BY: EY	DWG: S13
CAD FILE: 2013_S13_03_2018	