

SEE STND DETAIL S12
FOR FRAME & COVER.
SEE STND DETAIL U4 FOR
ADJUSTMENT & GROUTING
REQUIREMENTS

ADJUSTMENT RINGS
MIN. 4", MAX. 16"

2' MIN. CSTC TYP.
ALL SIDES

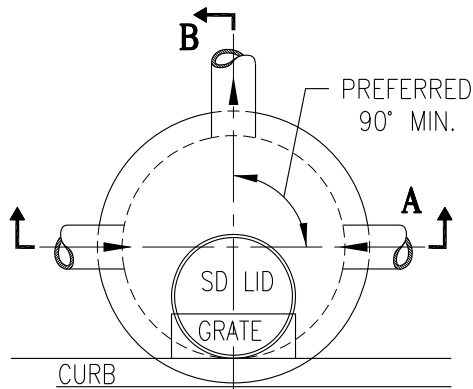
GROUT AROUND
PIPE (TYP. ALL PIPES)

4" MIN.

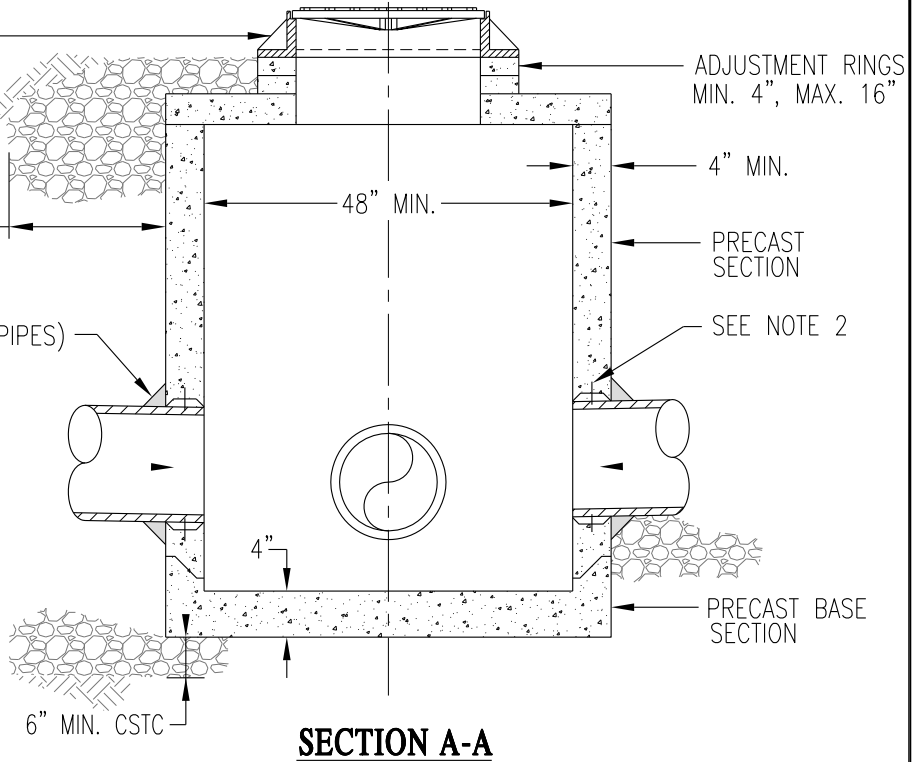
PRECAST
SECTION

SEE NOTE 2

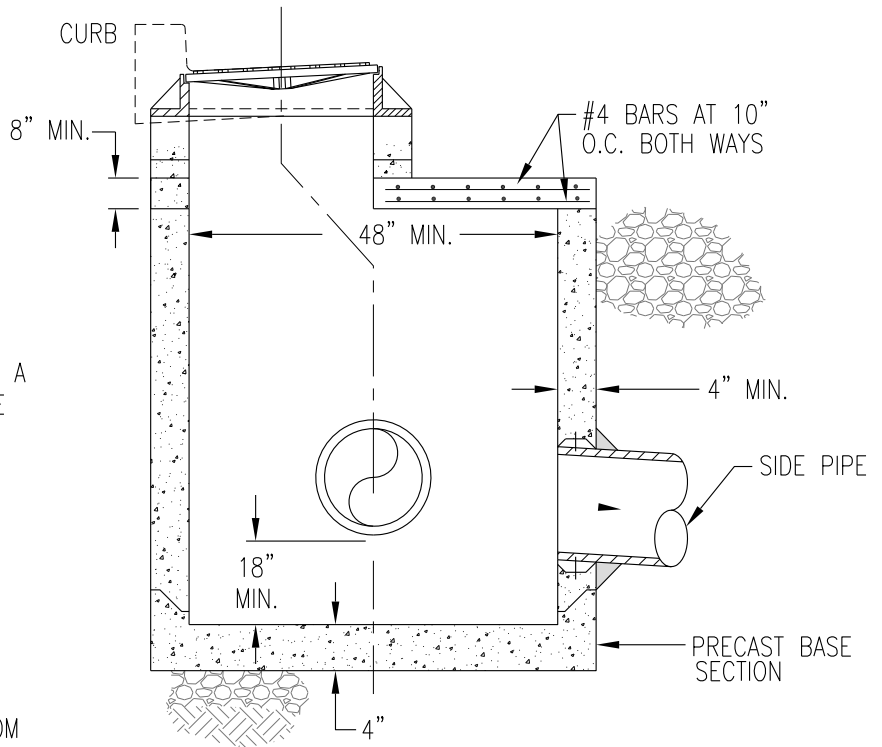
PRECAST BASE
SECTION



PLAN



SECTION A-A



SECTION B-B

NOTES:

1. IN GROUNDWATER INSTALLATIONS: ALL MANHOLE JOINTS SHALL BE MADE USING A CONTINUOUS FLEXIBLE RUBBER MANHOLE GASKET JOINT. ALL HOLES, JOINTS, CONNECTIONS SHALL BE SEALED WITH GROUT ON THE OUTSIDE.
2. ALL NEW PRECAST MANHOLES SHALL BE PROVIDED WITH CAST-IN FLEXIBLE PIPE CONNECTORS.
3. A STANDARD MANHOLE SHALL BE USED WHEN IT'S DEPTH IS 5.5' OR MORE FROM INVERT TO TOP OF RIM.



SHALLOW
STORM DRAIN
CATCH BASIN MANHOLE

PUBLIC WORKS ENGINEERING

APPR. BY: PKR

DATE: 10.2019

DRAWN BY: EY

DWG: S14

CAD FILE: 2013_S14_03_2018