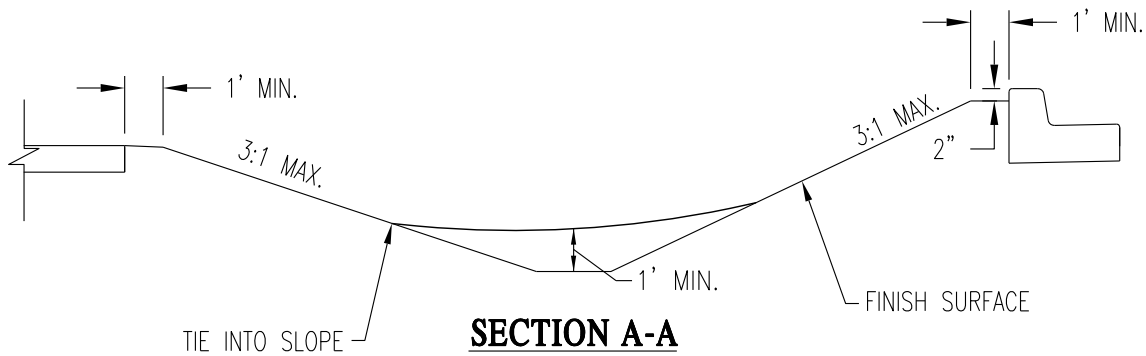
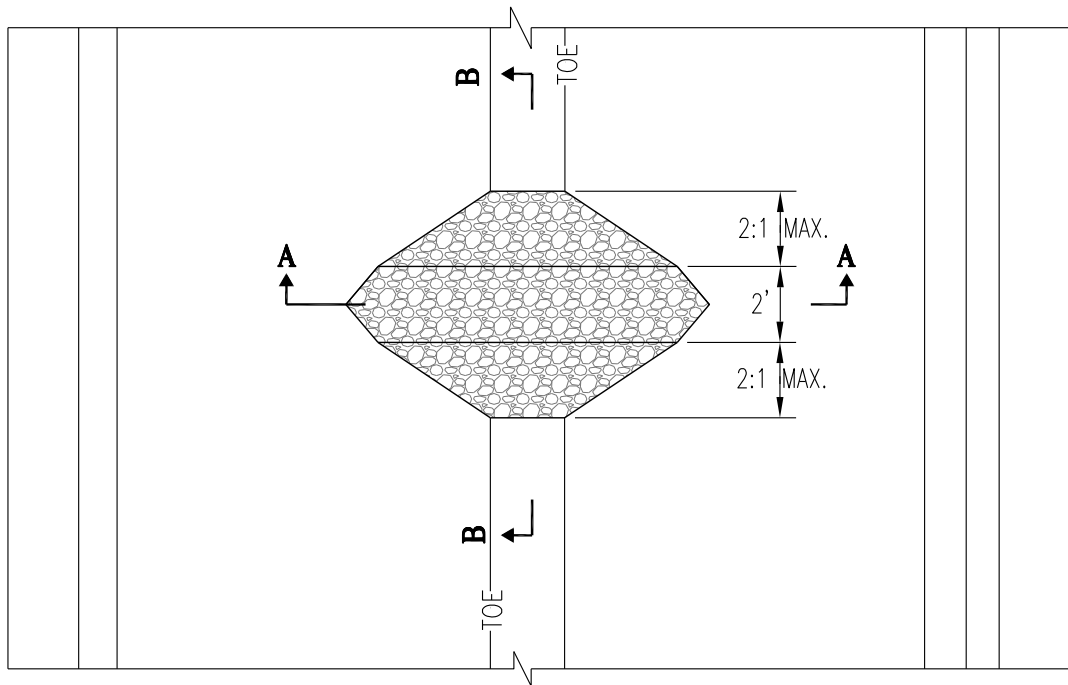


**SECTION B-B**



**SECTION A-A**



**PLAN VIEW**  
NOT TO SCALE



**ROADSIDE SWALE/  
CHECK DAM DETAIL**

PUBLIC WORKS ENGINEERING	
APPR. BY: PKR	DATE: 09.13
DRAWN BY: LD	DWG: S18
CAD FILE: 2013_S18_09_2013	