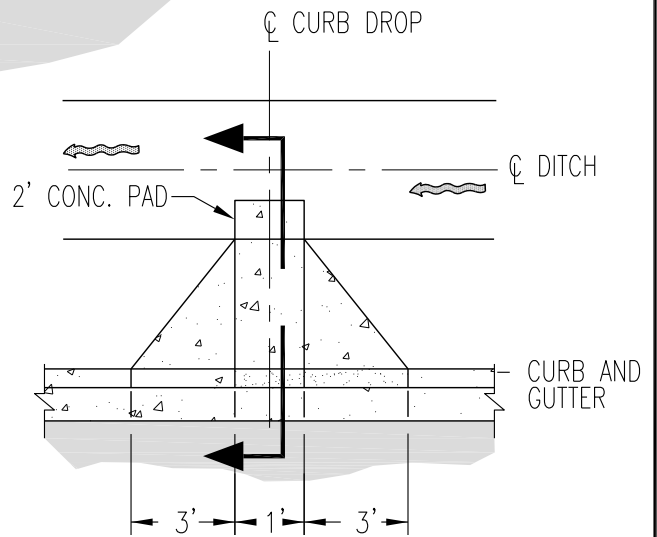
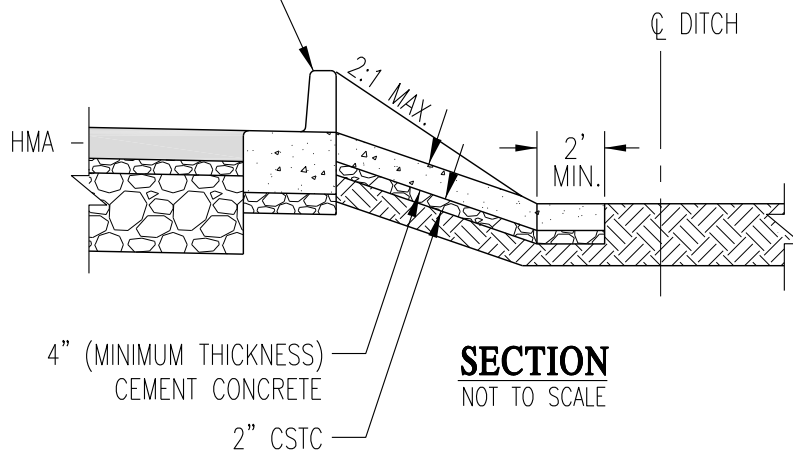


**ISOMETRIC**  
NOT TO SCALE



**PLAN VIEW**  
NOT TO SCALE

TRANSITION EACH EDGE FROM  
TOP OF CURB AT OPENING TO  
GRADE BREAK AT TOP OF DITCH



**SECTION**  
NOT TO SCALE



# CURB OPENING INLET DETAIL

PUBLIC WORKS ENGINEERING

APPR. BY: PKR

DATE: 12.14

DRAWN BY: LD

DWG: S19

CAD FILE: 2013\_S19\_12\_2014