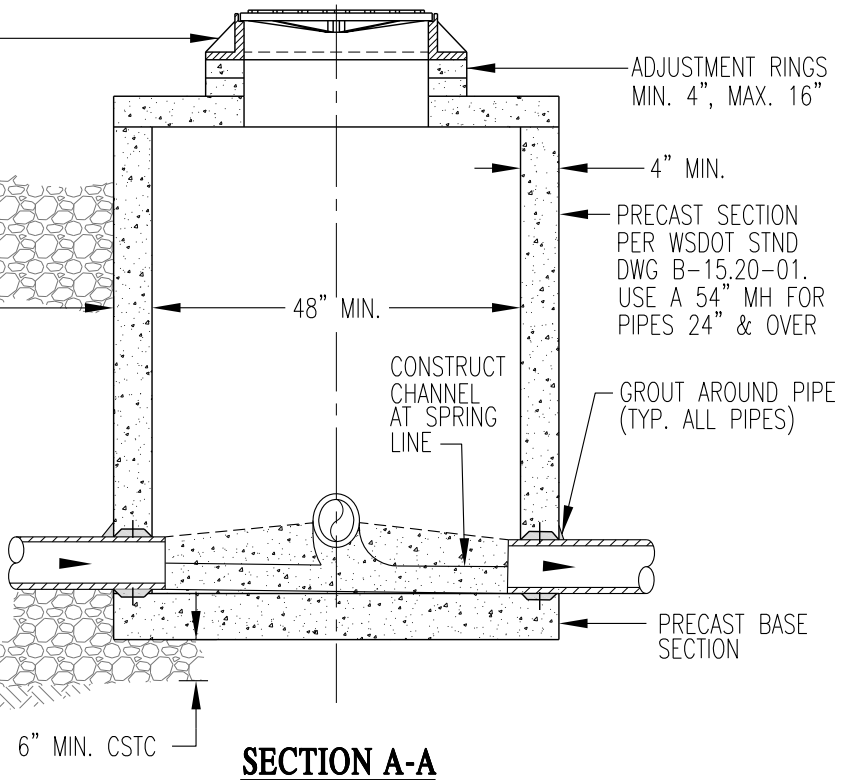
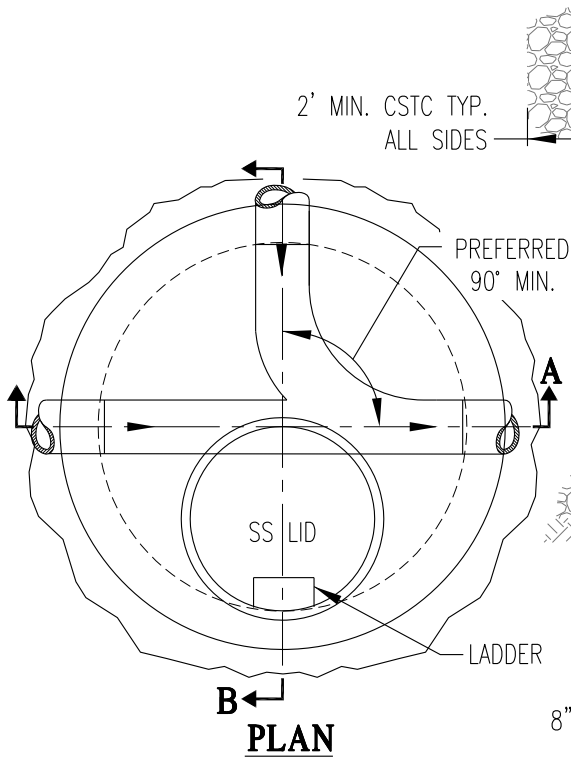


**PRECAST
BASE**

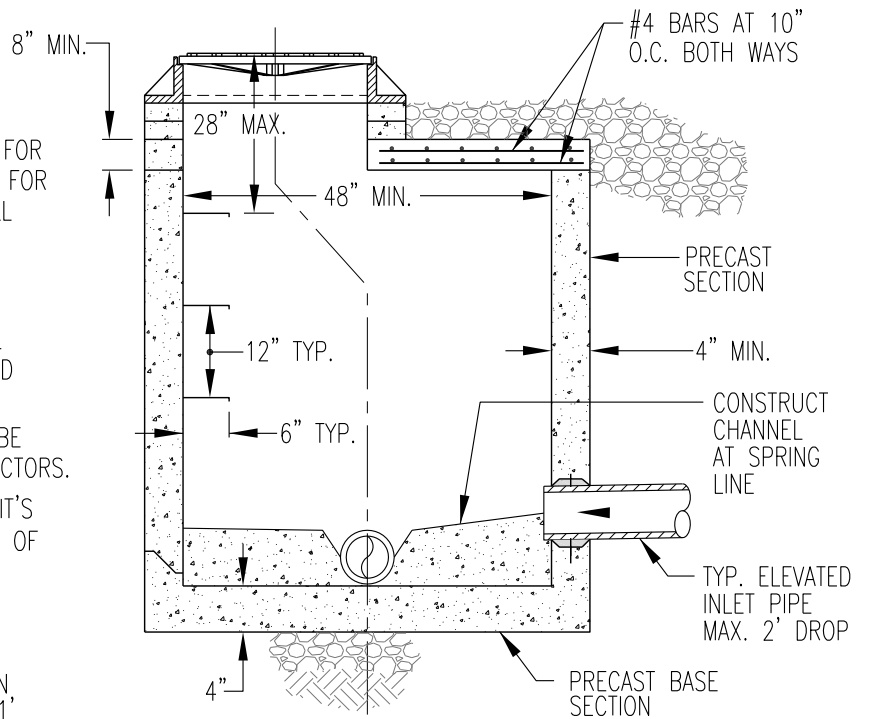
SEE STND DETAIL S8
FOR FRAME & COVER.
SEE STND DETAIL U4 FOR
ADJUSTMENT & GROUTING
REQUIREMENTS



SECTION A-A

NOTES:

1. PROVIDE A MINIMUM 0.10 FOOT IN-OUT DROP FOR STRAIGHT RUNS AND 0.20 FOOT IN-OUT DROP FOR ANGLE RUNS. PIPES OF DIFFERENT SIZES SHALL ALIGN CROWN TO CROWN.
2. IN GROUNDWATER INSTALLATIONS: ALL MANHOLE JOINTS SHALL BE MADE USING A CONTINUOUS FLEXIBLE RUBBER MANHOLE GASKET JOINT. ALL HOLES, JOINTS, CONNECTIONS SHALL BE SEALED WITH GROUT ON THE OUTSIDE.
3. ALL NEW PRECAST MANHOLE SECTIONS SHALL BE PROVIDED WITH CAST-IN FLEXIBLE PIPE CONNECTORS.
4. A STANDARD MANHOLE SHALL BE USED WHEN IT'S DEPTH IS 5.5' OR MORE FROM INVERT TO TOP OF RIM.
5. STEPS SHALL BE PLACED OVER BENCH, NOT OBSTRUCTING ANY CHANNEL. MANHOLE STEPS SHALL CONFORM TO AASHTO M199 AND MEET ALL WISHA REQUIREMENTS. STEPS REQUIRED ON SANITARY SEWER ONLY. IF BENCH LESS THAN 1' IN WIDTH, PLACE LADDER OVER DOWNSTREAM PIPE.
6. CHANNEL INTERSECTIONS SHALL BE SMOOTH AND DIRECTED DOWNSTREAM.



SECTION B-B



**SHALLOW
MANHOLE
(W/PRECAST BASE)**

PUBLIC WORKS ENGINEERING

APPR. BY: PKR

DATE: 07.17

DRAWN BY: LD

DWG: S6

CAD FILE: 2013_S6_07_2017