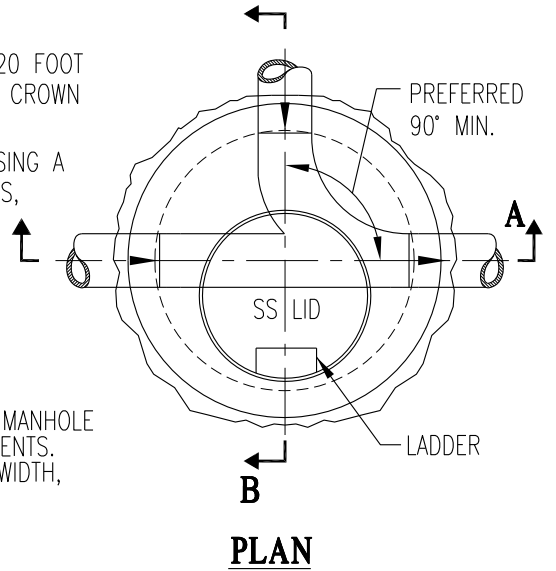


SECTION A-A

SECTION B-B

NOTES:

1. PROVIDE A MINIMUM 0.10 FOOT IN-OUT DROP FOR STRAIGHT RUN AND 0.20 FOOT IN-OUT DROP FOR ANGLE RUNS. PIPES OF DIFFERENT SIZES SHALL ALIGN CROWN TO CROWN.
2. IN GROUNDWATER INSTALLATIONS: ALL MANHOLE JOINTS SHALL BE MADE USING A CONTINUOUS FLEXIBLE RUBBER MANHOLE GASKET JOINT. ALL HOLES, JOINTS, CONNECTIONS SHALL BE SEALED WITH GROUT ON THE OUTSIDE.
3. ALL NEW PRECAST MANHOLE SECTIONS SHALL BE PROVIDED WITH CAST-IN FLEXIBLE PIPE CONNECTORS. NO PIPE PENETRATIONS ALLOWED INTO PRECAST CONE SECTIONS.
4. A SHALLOW MANHOLE SHALL BE USED WHEN IT'S DEPTH IS 5.5' OR LESS FROM INVERT TO TOP OF RIM.
5. STEPS SHALL BE PLACED OVER BENCH, NOT OBSTRUCTING ANY CHANNEL. MANHOLE STEPS SHALL CONFORM TO AASHTO M199 AND MEET ALL WISHA REQUIREMENTS. STEPS REQUIRED ON SANITARY SEWER ONLY. IF BENCH LESS THAN 1' IN WIDTH, PLACE LADDER OVER DOWNSTREAM PIPE.
6. CHANNEL INTERSECTIONS SHALL BE SMOOTH AND DIRECTED DOWNSTREAM.



PLAN



**STANDARD
MANHOLE
(W/PRECAST BASE)**

PUBLIC WORKS ENGINEERING	
APPR. BY: PKR	DATE: 07.17
DRAWN BY: LD	DWG: S4
CAD FILE: 2014_S4_07_2017	