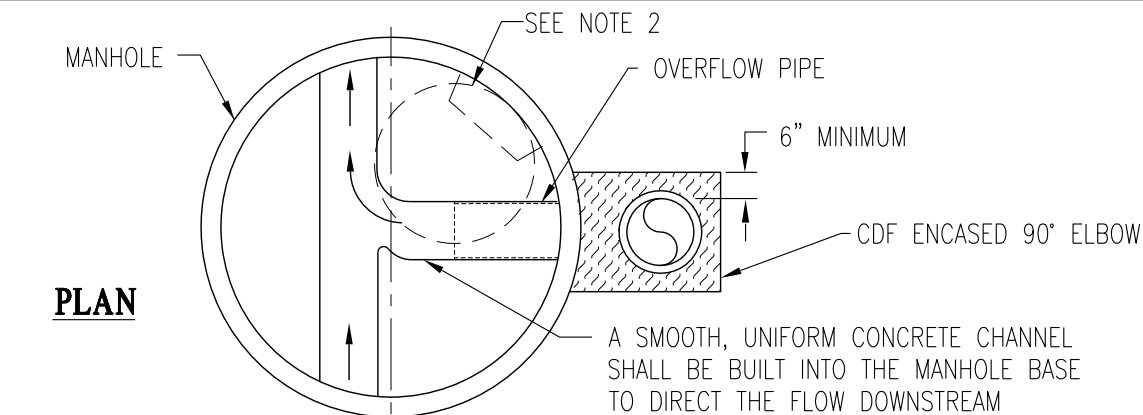
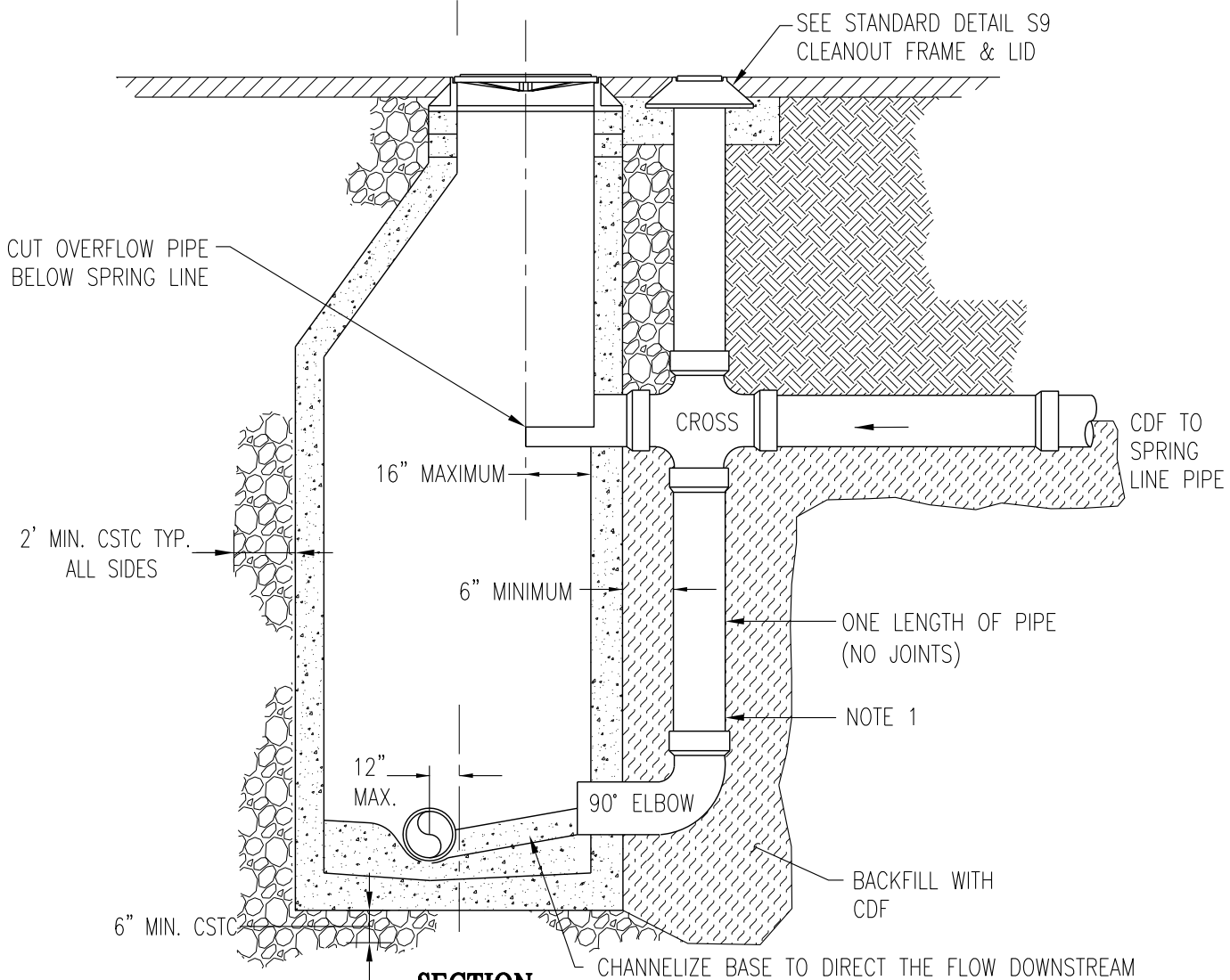


**PLAN**



**SECTION**



**NOTES:**

1. DROP CONNECTION PIPE DIAMETER AND FITTINGS SHALL BE EQUAL TO OR GREATER THAN THE DIAMETER OF THE SEWER. DROP CONNECTION PIPE SHALL BE ASTM F679-SDR26(PS115).
2. ROTATE FRAME, COVER, CONE AND LADDER SO THAT IS LOCATED 45° DOWNSTREAM FROM THE DROP CONNECTION.
3. OFFSET MAINLINE (NON-DROP CONNECTION) PIPE IN MANHOLE BY UP TO 12" FROM CENTER LINE.



**SEWER OUTSIDE  
DROP CONNECTION  
IN NEW MANHOLES**

PUBLIC WORKS ENGINEERING	
APPR. BY: PKR	DATE: 05.14
DRAWN BY: LD	DWG: S6A
CAD FILE: 2014_S6A_05_2014	