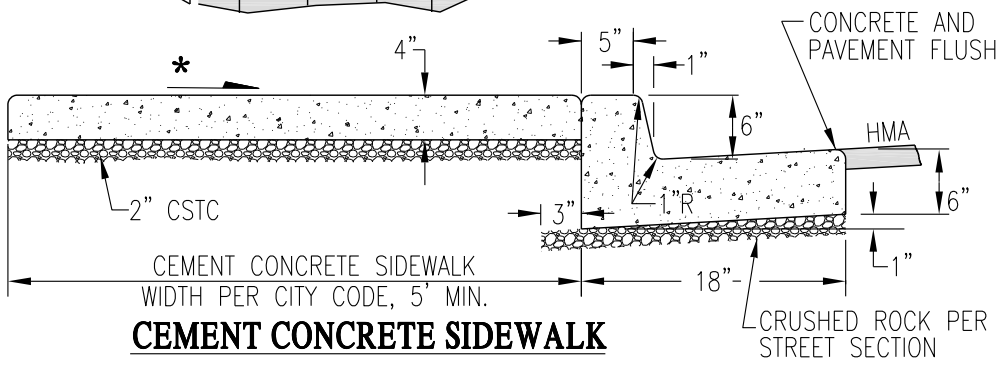
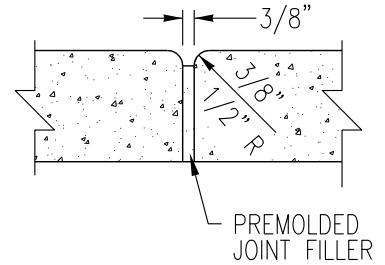


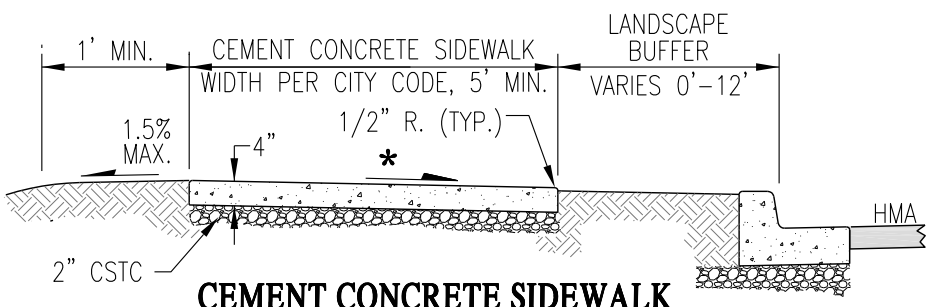
JOINT AND FINISH DETAIL



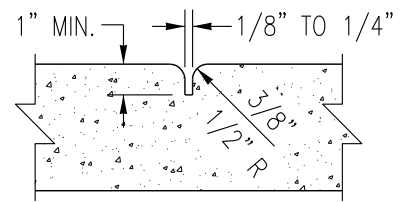
CEMENT CONCRETE SIDEWALK



EXPANSION JOINT



CEMENT CONCRETE SIDEWALK



CONSTRUCTION JOINT

LEGEND:
 ← SLOPE IN EITHER DIRECTION
 * 1.5% OR FLATTER RECOMMENDED FOR DESIGN/FORMWORK (2% MAX)

NOTES:

1. SEE STANDARD DETAIL ST7 FOR CURB, GUTTER AND SIDEWALK NOTES.
2. INSTALL 3/8" FULL EXPANSION JOINTS IN CURB AT ALL PC'S, PT'S AND CURB RETURNS.
3. ALL FILETS 1/2" UNLESS OTHERWISE NOTED.
4. FINISHED GRADE ADJACENT TO SIDEWALK OR CURB SHALL BE 1" BELOW TOP OF CONCRETE SURFACE.



CURB, GUTTER & SIDEWALK

PUBLIC WORKS ENGINEERING	
APPR. BY: PKR	DATE: 05.18
DRAWN BY: EY	DWG: ST1
CAD FILE: 2013_ST1_05_2018	