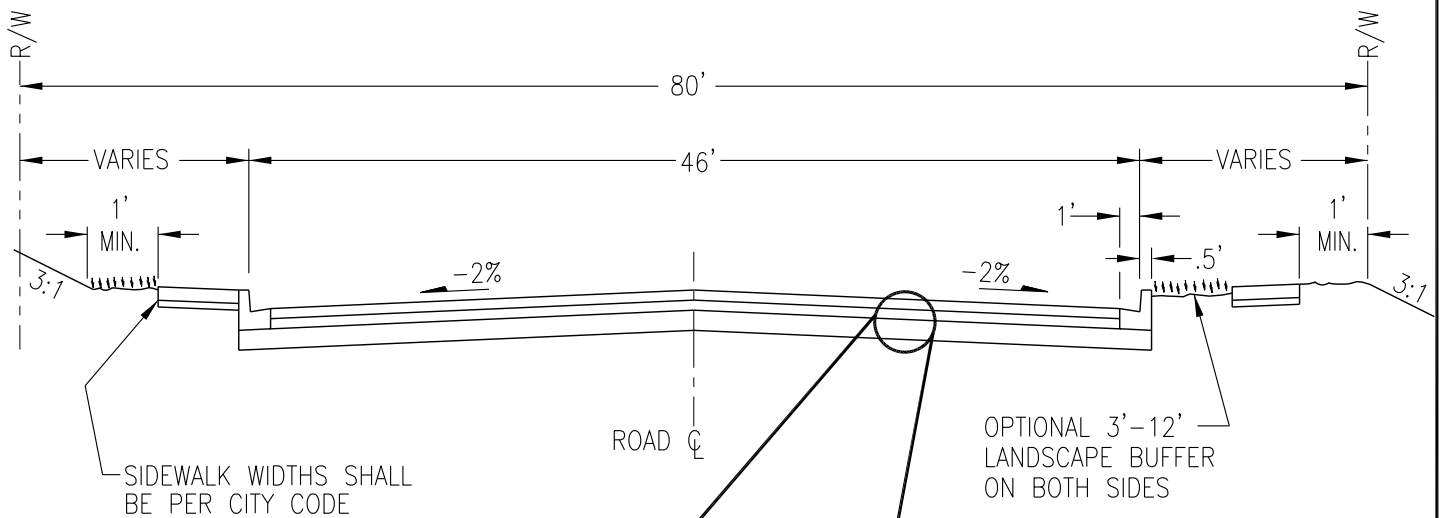
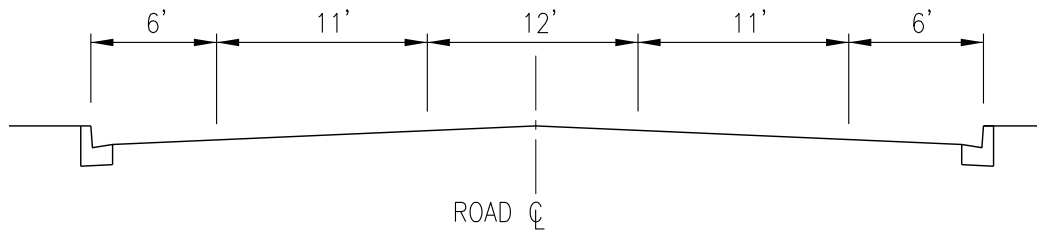


TYPICAL LANE LAYOUT

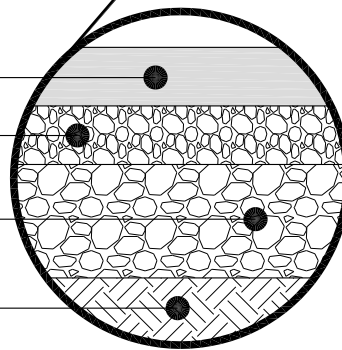


4" HMA CL 1/2", PG 64-28
 APPLY SOIL RESIDUAL HERBICIDE
 PRIOR TO PAVING

2" CSTC

8" CSBC

COMPACTED SUBGRADE



OPTIONAL 3'-12'
 LANDSCAPE BUFFER
 ON BOTH SIDES

NOTES:

1. INTERSECTION SIGHT TRIANGLES FOR PROPERTIES FRONTING NEWLY DESIGNED MINOR ARTERIALS SHALL BE BASED ON AN ASSUMED SPEED OF 45 MPH SPEED, UNLESS THE CITY ENGINEER DIRECTS THAT A DIFFERENT SPEED BE USED.
2. WHEN A MINOR ARTERIAL REQUIRES A 5-LANE CROSS SECTION AS DETERMINED BY THE PUBLIC WORKS DIRECTOR, THE CROSS SECTION DRAWING FOR PRINCIPAL ARTERIAL (ST9) SHALL BE USED.



MINOR
 ARTERIAL

PUBLIC WORKS ENGINEERING

APPR. BY: PKR

DATE: 06.19

DRAWN BY: EY

DWG: ST10

CAD FILE: 2013_ST10_06_2019