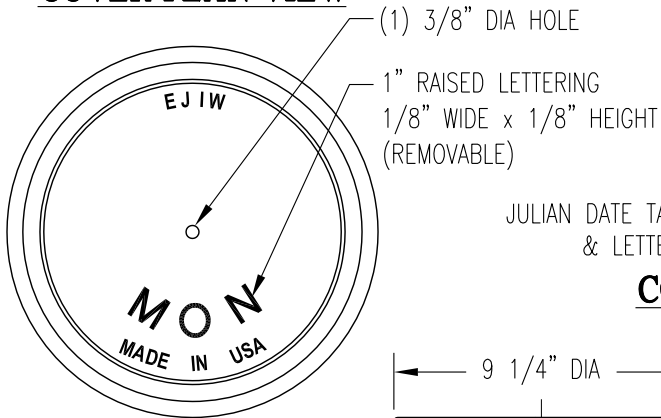
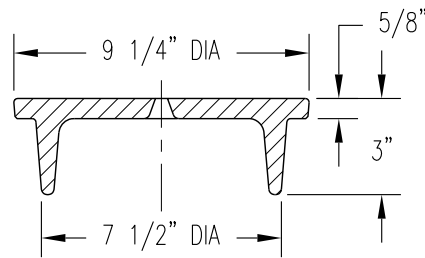


COVER-PLAN VIEW

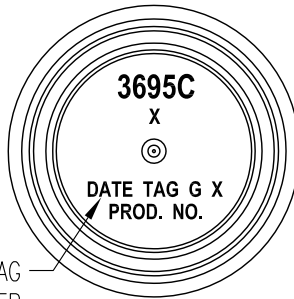


SECTION-COVER

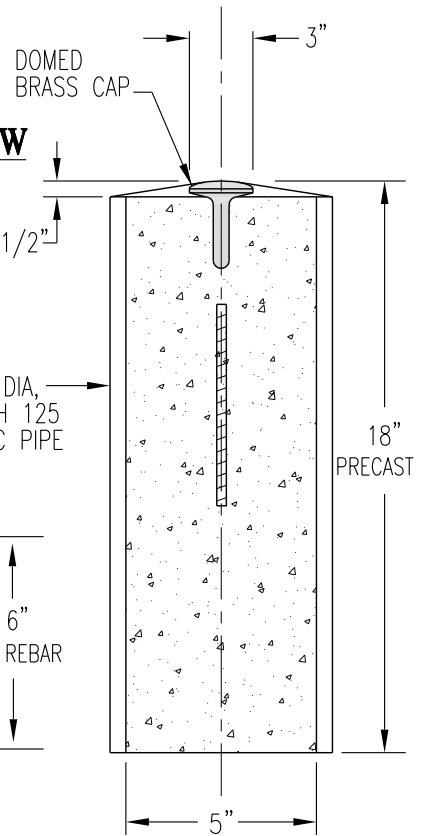
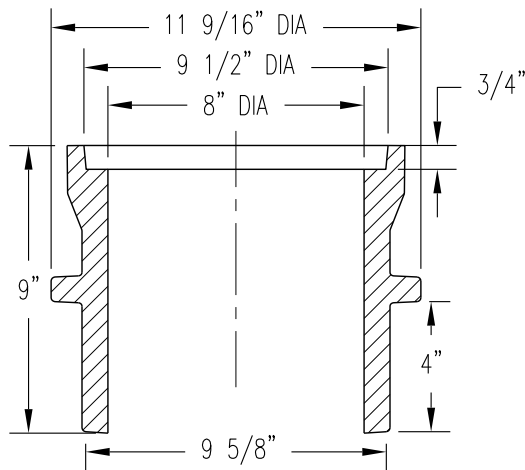


COVER BOTTOM VIEW

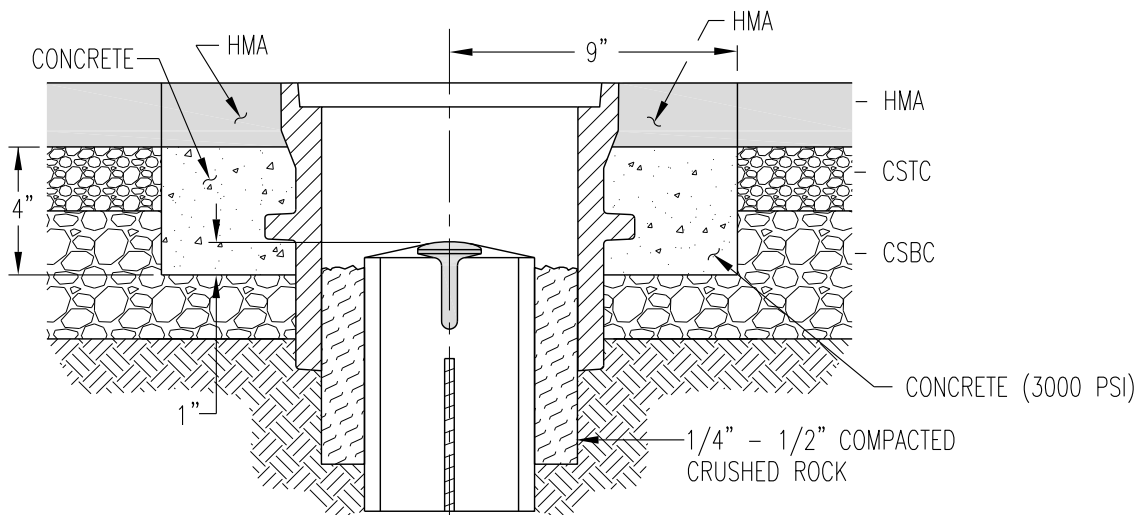
JULIAN DATE TAG
& LETTER



SECTION-FRAME



CONCRETE MONUMENT



**SURVEY
 MONUMENT**

PUBLIC WORKS ENGINEERING

APPR. BY: PKR

DATE: 07.17

DRAWN BY: LD

DWG: ST20

CAD FILE: 2013_ST20_07_2017