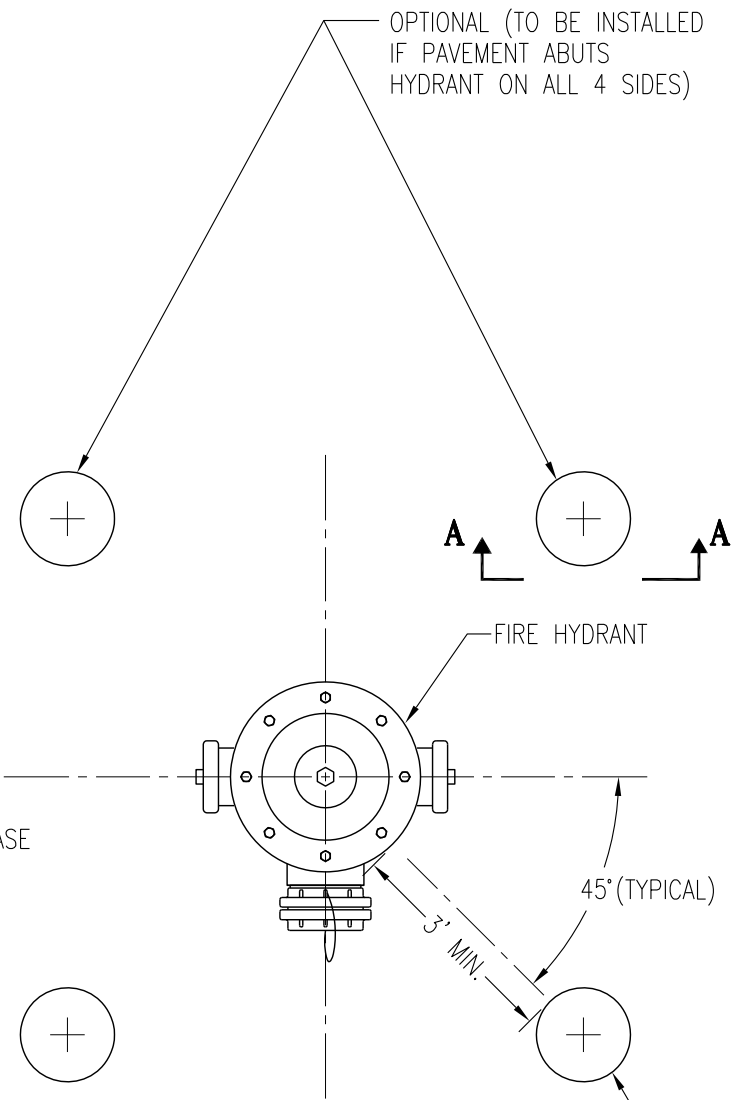


SECTION A-A



PLAN

NOTE:

1. WHERE CONCRETE CURBING IS NOT INSTALLED, BOLLARD POSTS (2 EA. MINIMUM) SHALL BE INSTALLED ON SIDE FACING PAVED SURFACE.



BOLLARD POSTS

PUBLIC WORKS ENGINEERING	
APPR. BY: PKR	DATE: 12.2010
DRAWN BY: SC NYBY	DWG: W15
CAD FILE: 2012_W15_12_2010	