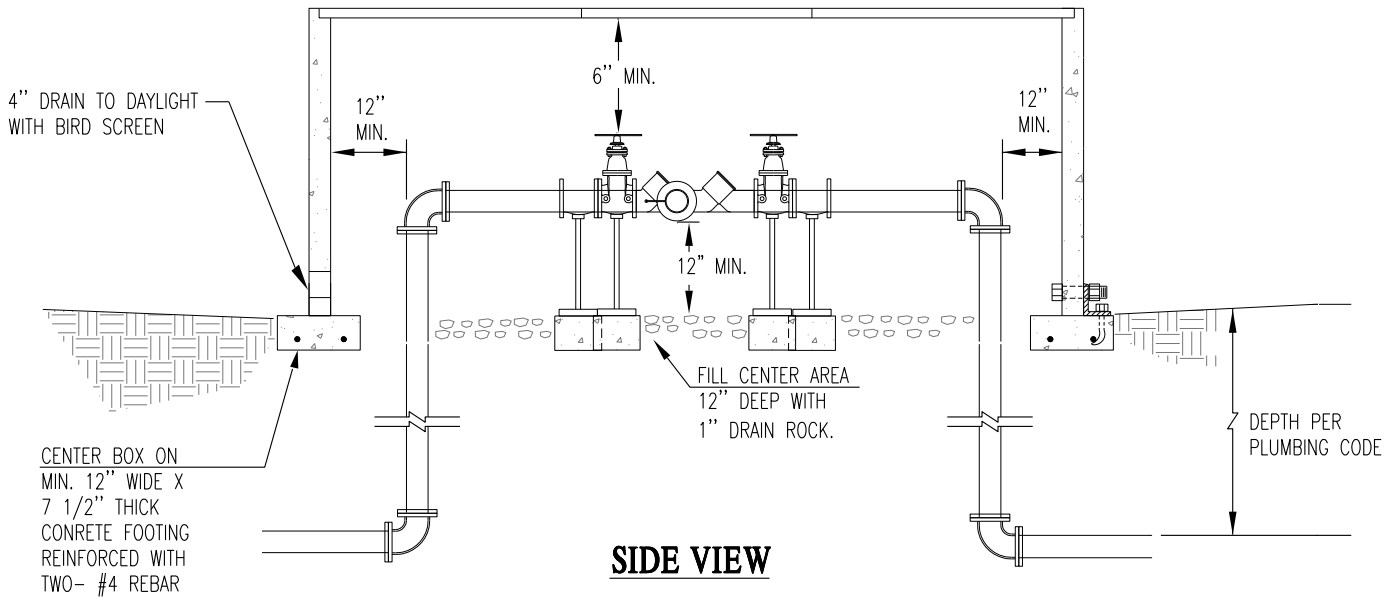


BOLT BOX TO CONCRETE PAD WITH 3/8 INCH ANCHOR BOLTS, WASHERS AND BRACKETS MIN. SIX LOCATIONS.

TOP VIEW



SIDE VIEW

NOTES:

1. MUST BE ON THE LATEST WASHINGTON DEPARTMENT OF HEALTH APPROVED LIST OF BACKFLOW PREVENTION ASSEMBLIES.
2. MUST BE INSTALLED ABOVE GROUND MINIMUM 12 INCHES.
3. MUST BE PROTECTED FROM FREEZING CONDITIONS. INSTALL HEAT TAPE FOR FREEZE PROTECTION.
4. DO NOT INSTALL IN AN AREA SUBJECT TO FLOODING.
5. THE BACKFLOW DEVICE SHALL BE TESTED UPON INSTALLATION BY A QUALIFIED BACKFLOW ASSEMBLY TESTER (B.A.T.) AND TEST RESULTS SENT TO THE CITY OF RICHLAND WATER QUALITY COORDINATOR, THEN RETESTED ANNUALLY THEREAFTER.
6. OWNER SHALL FURNISH, INSTALL AND MAINTAIN THE BACKFLOW DEVICE AND ALL PIPING AND APPURTENANCES SHOWN ON THIS PLAN.
7. THE BACKFLOW DEVICE SHALL BE INSTALLED DIRECTLY DOWNSTREAM OF THE CITY WATER METER.
8. THE BACKFLOW DEVICE SHALL ONLY BE INSTALLED IN THE ORIENTATION FOR WHICH THEY ARE APPROVED.



**REDUCED PRESSURE
BACKFLOW ASSEMBLY
DEVICES 2" AND SMALLER**

PUBLIC WORKS ENGINEERING

APPR. BY: PKR

DATE: 09.13

DRAWN BY: LD

DWG: W19

CAD FILE: 2013_W19_09_2013