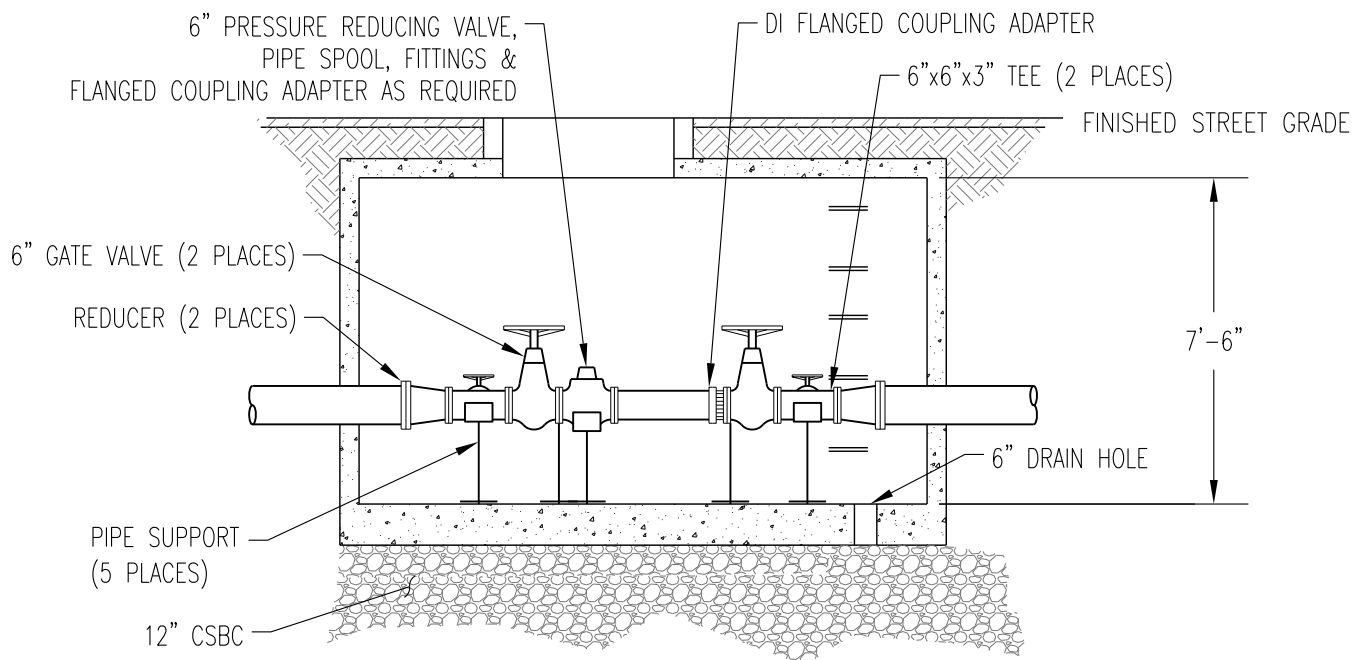


PLAN



ELEVATION

NOTES:

1. ALUMINUM ACCESS DOOR VAULTS LOCATED IN TRAFFIC AREAS SHALL HAVE TRAFFIC RATED DOORS.
2. ALL RESTRAINED JOINTS EACH SIDE OF VAULT. SEE STANDARD DETAIL W16-B.
3. GROUT ALL PENETRATIONS
4. CITY OF RICHLAND TO INSTALL CONTRACTOR SUPPLIED PRESSURE REDUCING VALVE PARTS. CONTRACTOR TO INSTALL VAULT AND PIPING STRAIGHT THROUGH.



**WATER PRESSURE
REDUCING ASSEMBLY**

PUBLIC WORKS ENGINEERING	
APPR. BY: PKR	DATE: 03.2018
DRAWN BY: EY	DWG: W8
CAD FILE: 2013_W8_03_2018	