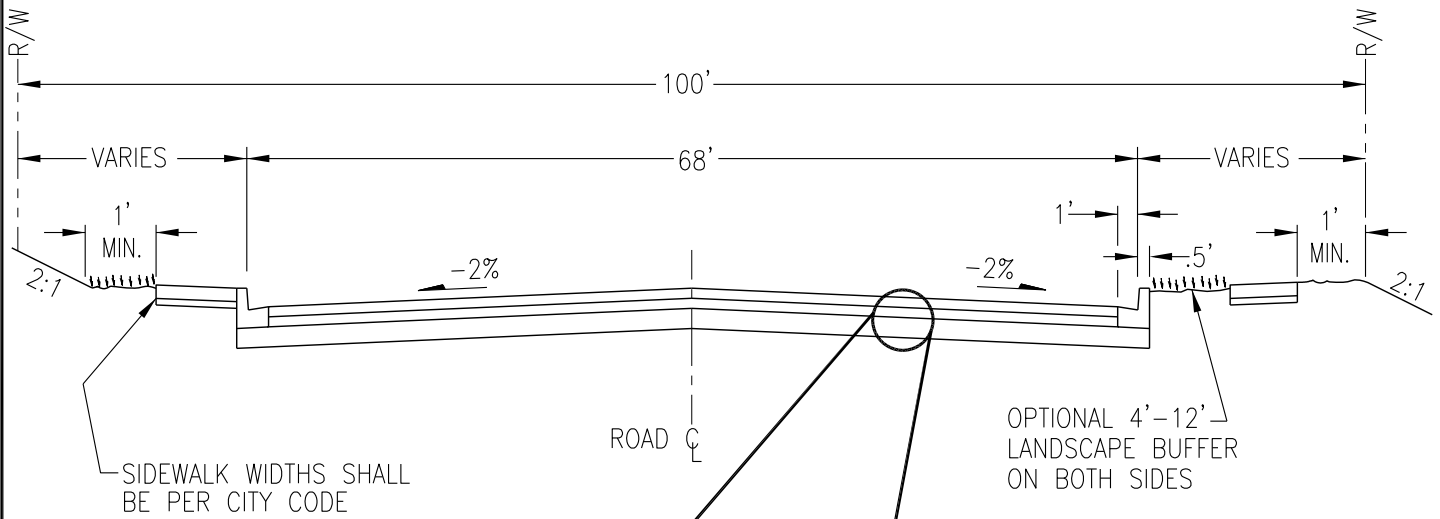
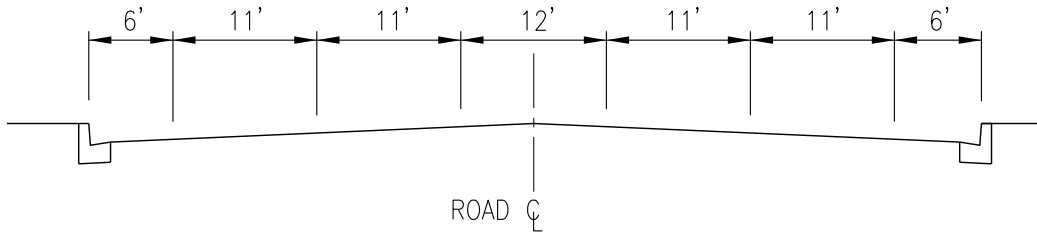


TYPICAL LANE LAYOUT

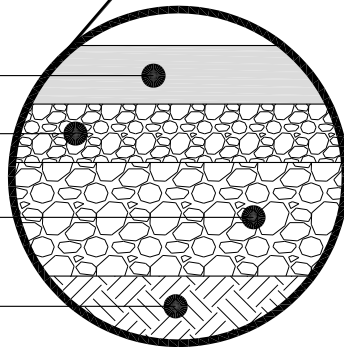


4" HMA CL 1/2", PG 64-28  
 APPLY SOIL RESIDUAL HERBICIDE  
 PRIOR TO PAVING

2" CSTC

8" CSBC

COMPACTED SUBGRADE



OPTIONAL 4'-12'  
 LANDSCAPE BUFFER  
 ON BOTH SIDES

NOTES:

1. INTERSECTION SIGHT TRIANGLES FOR PROPERTIES FRONTING NEWLY DESIGNED PRINCIPAL ARTERIALS SHALL BE BASED ON AN ASSUMED SPEED OF 55 MPH SPEED



PRINCIPAL  
 ARTERIAL

PUBLIC WORKS ENGINEERING

APPR. BY: PKR

DATE: 06.19

DRAWN BY: EY

DWG: ST9

CAD FILE: 2013\_ST9\_06\_2019