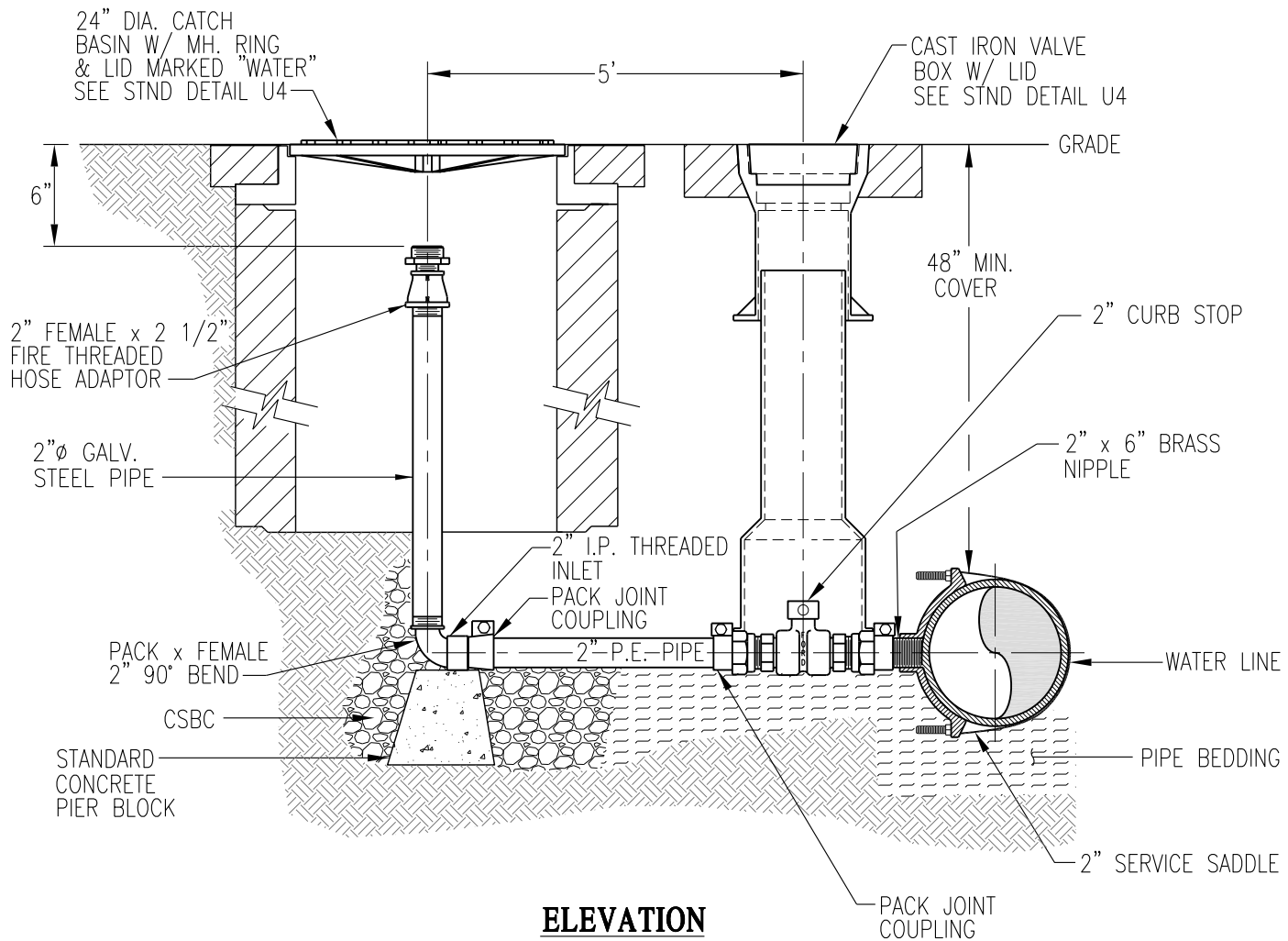


PLAN



ELEVATION



BLOW-OFF ASSEMBLY

PUBLIC WORKS ENGINEERING

APPR. BY: PKR

DATE: 03.2012

DRAWN BY: SC NYBY

DWG: W13

CAD FILE: 2012_W13_03_2012