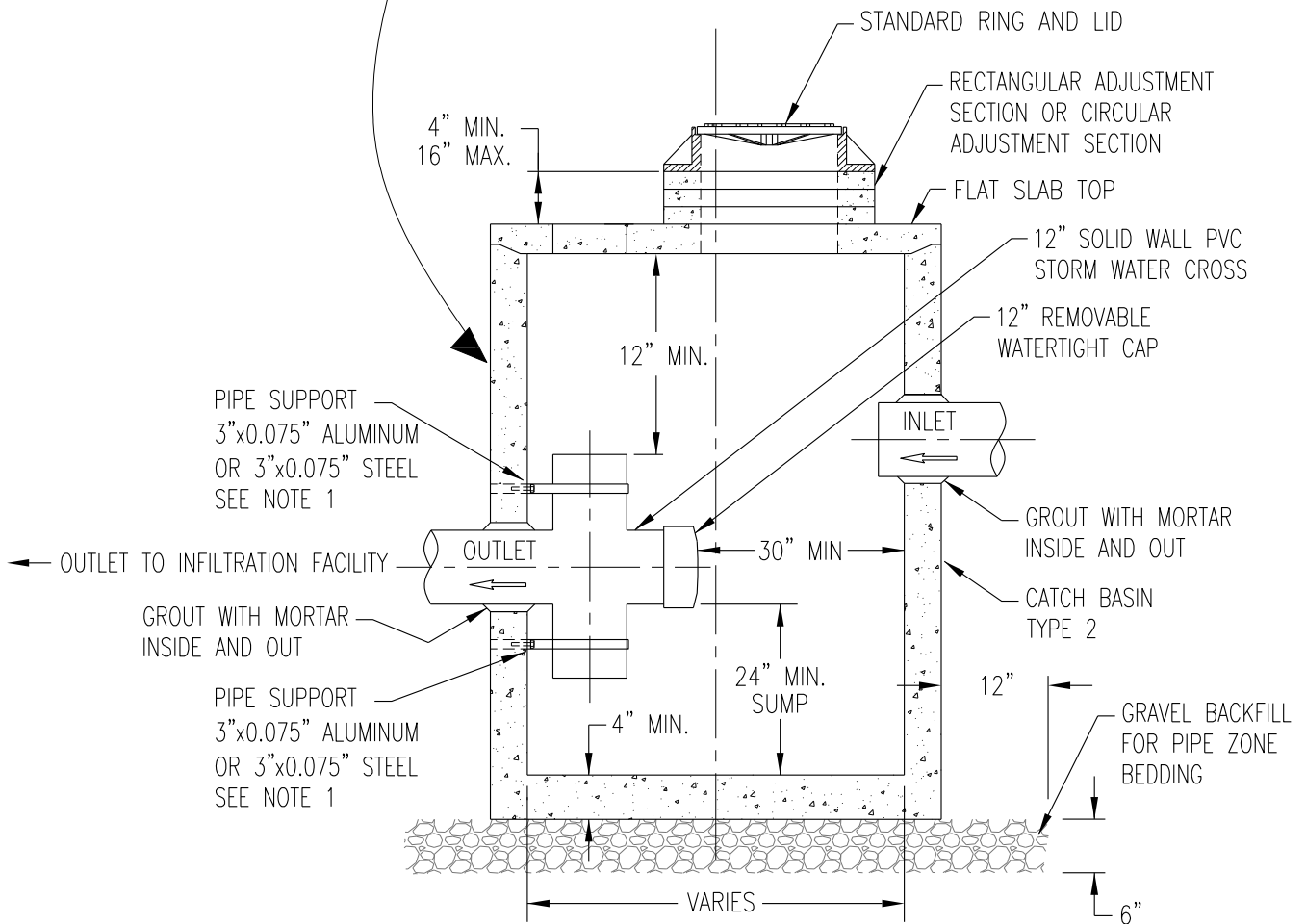
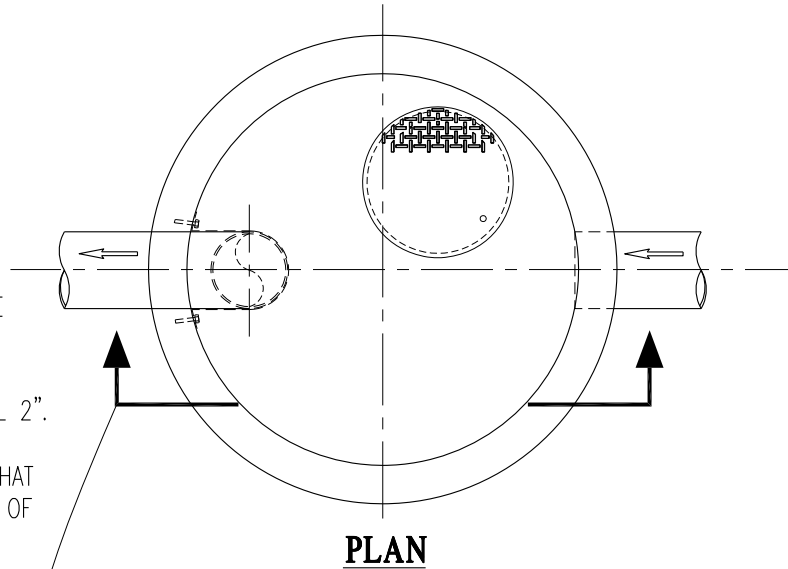


NOTES:

1. ATTACH THE PIPE SUPPORTS TO THE MANHOLE WITH $\frac{5}{16}$ " STAINLESS STEEL EXPANSION BOLTS OR EMBED THE SUPPORTS INTO THE MANHOLE WALL 2".
2. THE FRAME SHALL BE OFFSET SO THAT THE CLIMB-DOWN SPACE IS CLEAR OF THE RISER.



**SEDIMENTATION
MANHOLE DETAIL**

PUBLIC WORKS ENGINEERING	
APPR. BY: PKR	DATE: 06.19
DRAWN BY: EY	DWG: S21
CAD FILE: 2018_S21_06_2019	